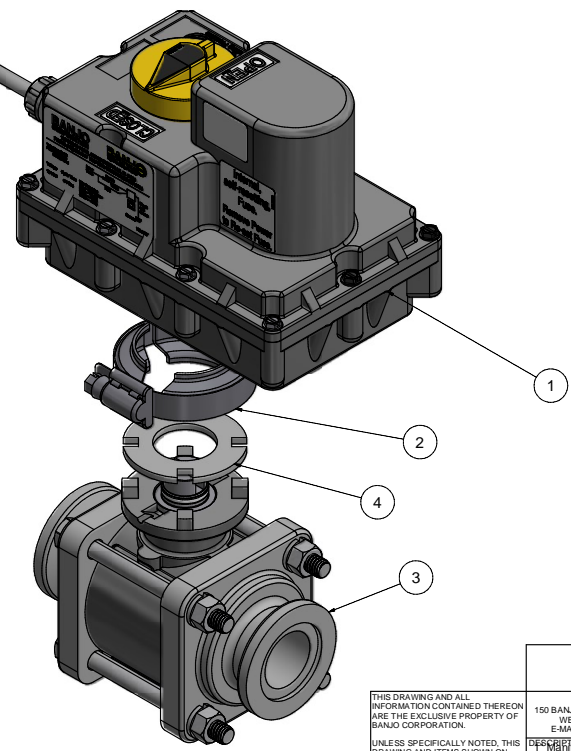
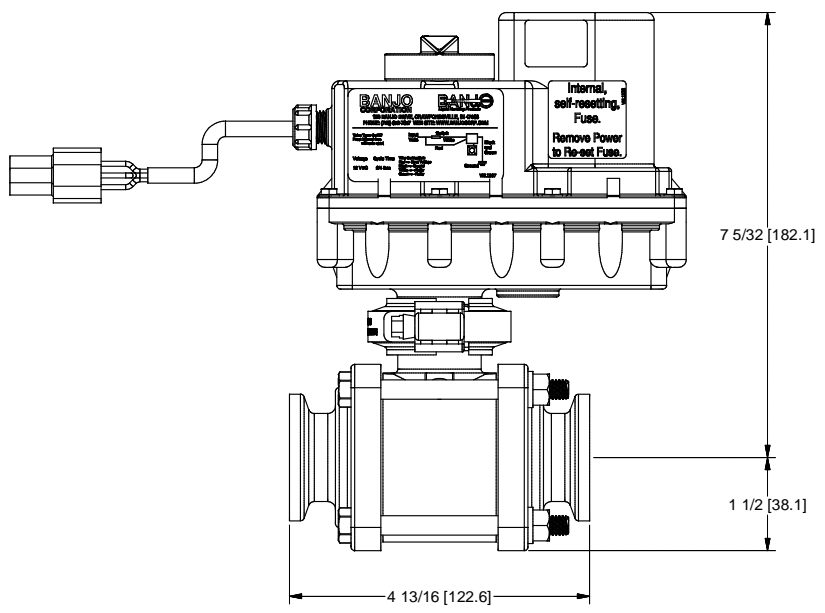
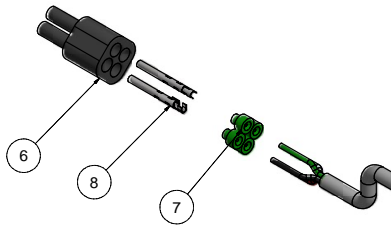
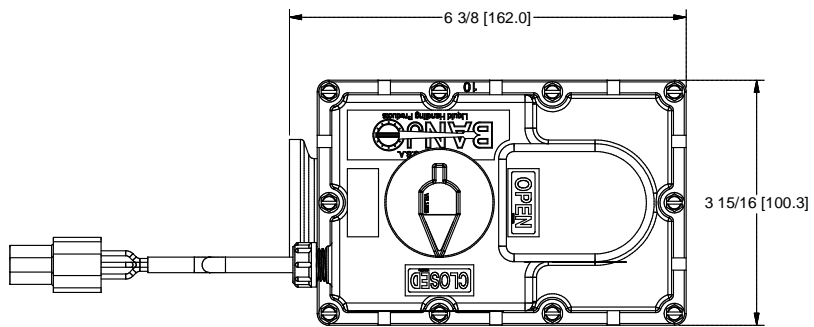


| Parts List | | | |
|------------|-----|-------------|-----------------------------------|
| ITEM | QTY | PART NUMBER | DESCRIPTION |
| 1 | 1 | EV3304 | 3/4 Sec, 4 Wire, EV Actuator Assy |
| 2 | 1 | FC100 | 1" HI TORQUE CLAMP |
| 3 | 1 | MEV100XR1 | 1" Manifold Valve SubAssy |
| 4 | 1 | MVE004 | MVE Mounting Breather |
| 6 | 1 | VE014 | 4 CONNECTOR WEATHERPACK |
| 7 | 4 | VE001 | CABLE SEAL |
| 8 | 4 | VE010 | FEMALE TERMINAL |

WIRING:

- A = RED = +12VDC
- B = BLACK = GROUND
- C = WHITE = SIGNAL (+12VDC)
- D = GREEN = SIGNAL (GROUND)



THIS DRAWING AND ALL INFORMATION CONTAINED THEREON ARE THE EXCLUSIVE PROPERTY OF BANJO CORPORATION.
 UNLESS SPECIFICALLY NOTED, THIS DRAWING AND ITEMS SHOWN ON THIS DRAWING ARE SUBJECT TO CHANGE AT ANY TIME.

BANJO CORPORATION
 150 BANJO DRIVE, CRAWFORDSVILLE, IN 47933
 WEB SITE: WWW.BANJOCORP.COM
 E-MAIL: BANJOSALES@IDEXCORP.COM

DESCRIPTION: Electric Valve 3/4 Sec, 4 Wire, On/Off
 PART NUMBER: MEV110CF