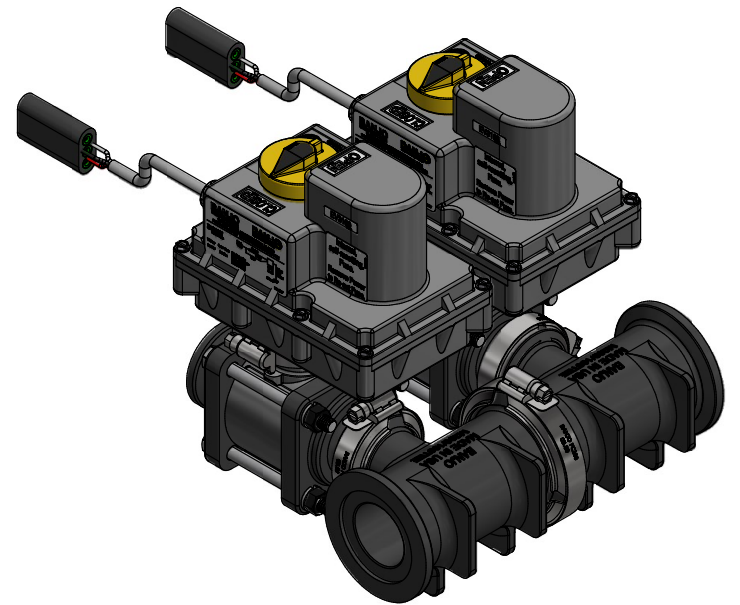
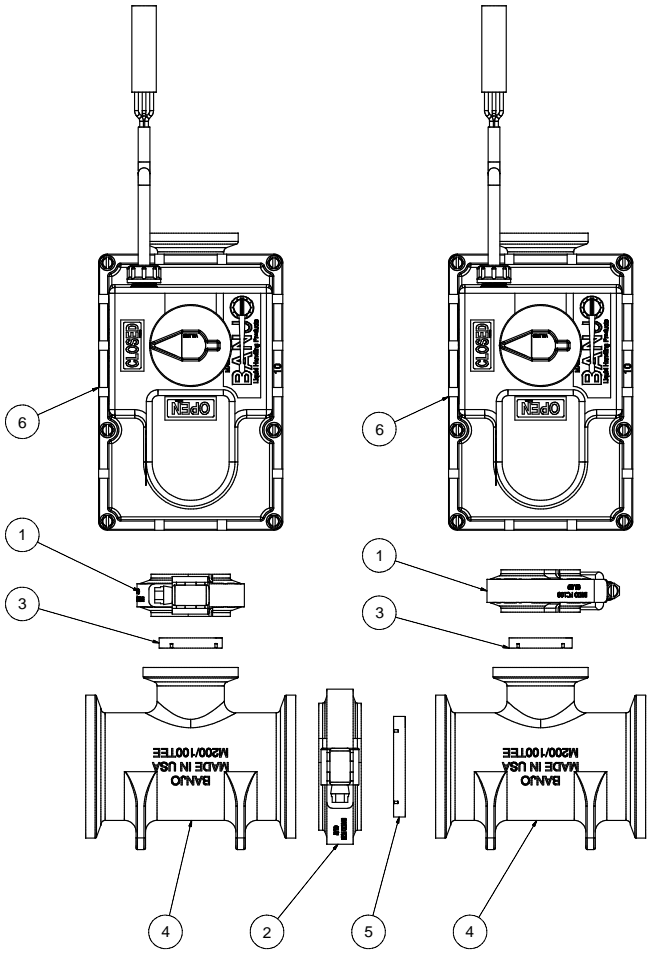


Parts List				
ITEM	QTY	PART NUMBER	DESCRIPTION	
1	2	FC100	1" HI TORQUE CLAMP	
2	1	FC200	2" HI TORQUE CLAMP	
3	2	M101G	1" Manifold Gasket w/ Rib	
4	2	M200100TEE	2" Manifold Tee w/ 1" Side Port	
5	1	M201G	2" Manifold Gasket w/ Rib	
6	2	MEV101CF	1" Manifold Electric Valve 3/4 Sec, 3 Wire, On/Off w/ Cnctr	



Note:
 Connector / Wire Match UP:
 A = Red
 B = Black
 C = White



BANJO CORPORATION
 150 BANJO DRIVE, CRAWFORDSVILLE, IN 47933
 WEB SITE: WWW.BANJOCORP.COM
 E-MAIL: BANJOSALES@IDEXCORP.COM

THIS DRAWING AND ALL INFORMATION CONTAINED THEREON ARE THE EXCLUSIVE PROPERTY OF BANJO CORPORATION.
 UNLESS SPECIFICALLY NOTED, THIS DRAWING AND ITEMS SHOWN ON THIS DRAWING ARE SUBJECT TO CHANGE AT ANY TIME.

DESCRIPTION
2 BANK 1" EV, 2" IN, 1" OUT
 PART NUMBER
MEV1022