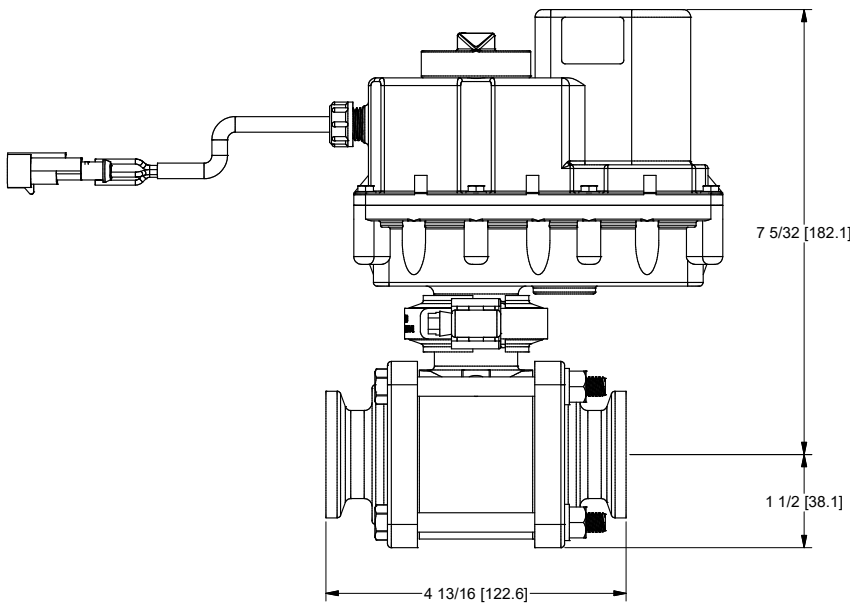
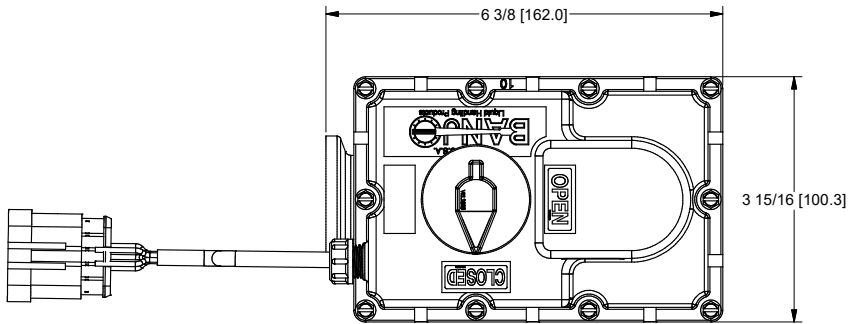


NOTE:

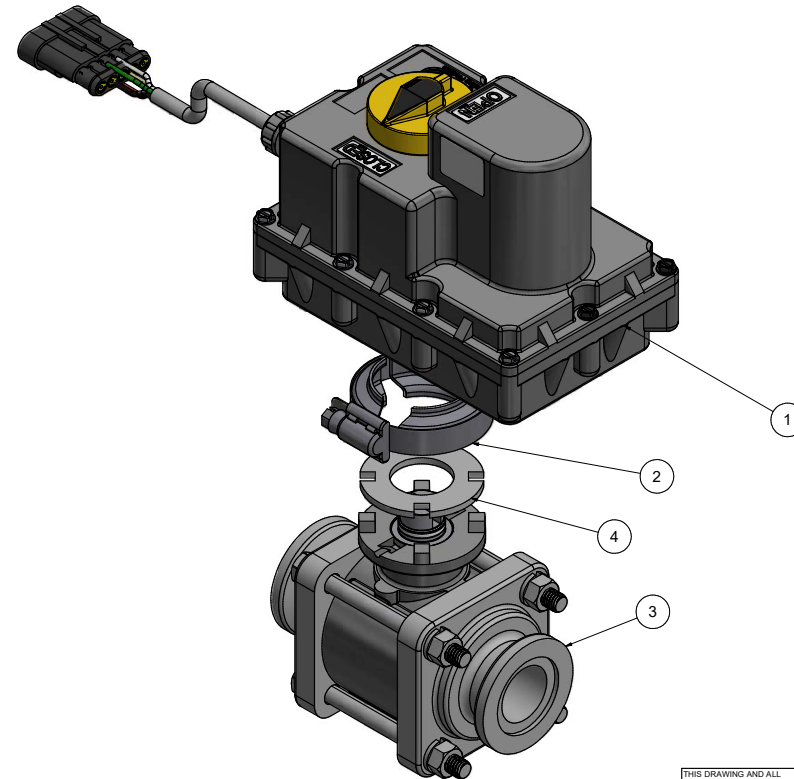
VALVE SHOWN IN CLOSE POSITION.
VALVE MUST SHIP IN OPEN POSITION.



Pin Outs / Wiring:

- Pin 1 = Red = Red Motor Terminal
- Pin 2 = Black = Black motor terminal
- Pin 3 = White = Supply + for position contacts
- Pin 4 = Brown = Close position feedback
- Pin 5 = Green = Open position feedback
- Cable length = 8"(200 mm) outside housing

Parts List			
ITEM	QTY	PART NUMBER	DESCRIPTION
1	1	EV3349	4 Sec, 5 Wire, EV Actuator Assy
2	1	FC100	1" HI TORQUE CLAMP
3	1	MEV100XR1	1" Manifold Valve SubAssy
4	1	MVE004	MVE Mounting Breather



THIS DRAWING AND ALL INFORMATION CONTAINED THEREON ARE THE EXCLUSIVE PROPERTY OF BANJO CORPORATION.
UNLESS SPECIFICALLY NOTED, THIS DRAWING AND ITEMS SHOWN ON THIS DRAWING ARE SUBJECT TO CHANGE AT ANY TIME.

BANJO CORPORATION
150 BANJO DRIVE, CRAWFORDSVILLE, IN 47933
WEB SITE: WWW.BANJOCORP.COM
E-MAIL: BANJOSALES@IDEXCORP.COM

1 1/2 Turn, 5 Wire, open/Close Feedback, No
PART NUMBER Electronics MEV101CF9