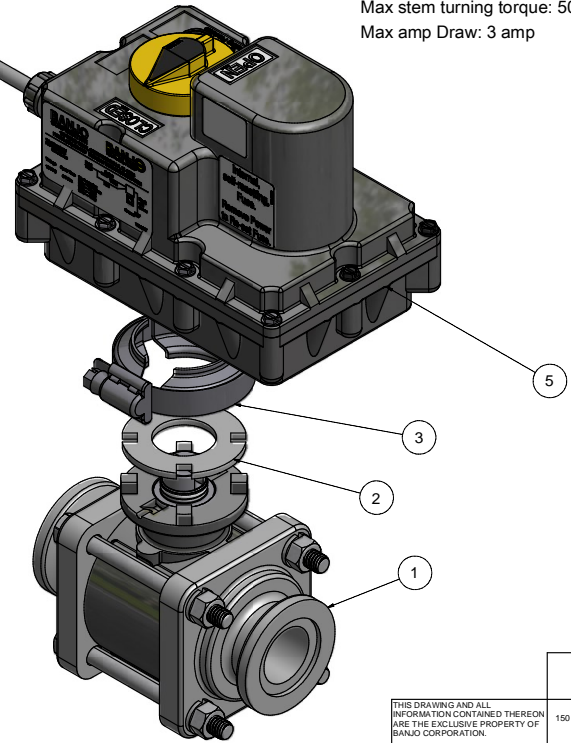


Parts List			
ITEM	QTY	PART NUMBER	DESCRIPTION
1	1	MEV100XR1	1" Manifold Valve SubAssy
2	1	MVE004	MVE Mounting Breather
3	1	FC100	1" HI TORQUE CLAMP
4	4	VE001	CABLE SEAL
5	1	EV3302	3/4 Sec, 4 Wire, EV Actuator Assy, CLOSE VERIFY
6	1	VE006	4 TOWER MALE TOWER
7	4	VE010	FEMALE TERMINAL

Note:

PIN OUT:
 A = RED, 12VDC
 B = BLACK, GROUND
 C = WHITE, SIGNAL
 D = GREEN, CLOSE VERIFY

Assembly Specs:
 Body Bolt Tightening Torque: 75 in-lbs
 Max stem turning torque: 50 in-lbs
 Max amp Draw: 3 amp



THIS DRAWING AND ALL INFORMATION CONTAINED THEREON ARE THE EXCLUSIVE PROPERTY OF BANJO CORPORATION.
 UNLESS SPECIFICALLY NOTED, THIS DRAWING AND ITEMS SHOWN ON THIS DRAWING ARE SUBJECT TO CHANGE AT ANY TIME.

BANJO CORPORATION
 150 BANJO DRIVE, CRAWFORDSVILLE, IN 47933
 WEB SITE: WWW.BANJOCORP.COM
 E-MAIL: BANJOSALES@IDEXCORP.COM

DESCRIPTION: EV 3/4 Sec, On/Off w/ Cnctr.
 PART NUMBER: MEV101CF2