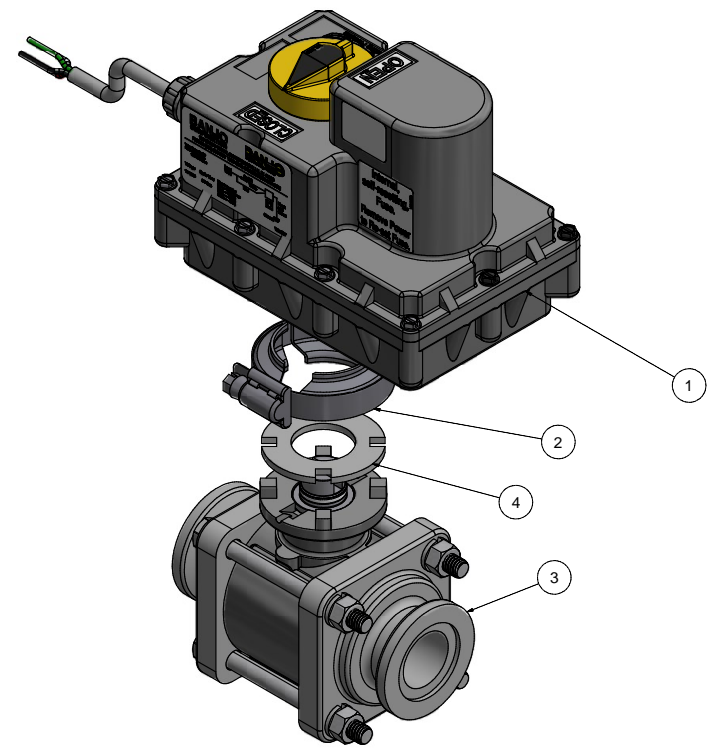
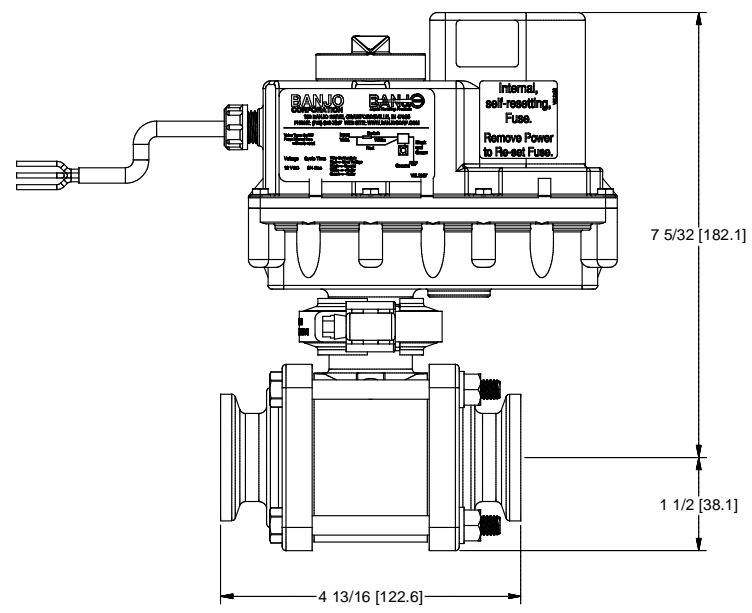
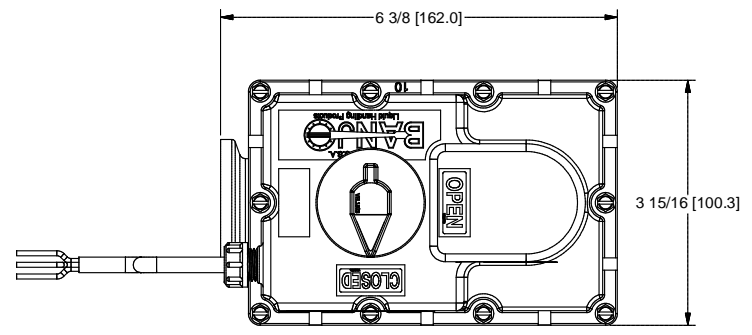


Parts List			
ITEM	QTY	PART NUMBER	DESCRIPTION
1	1	EV3304	3/4 Sec, 4 Wire, EV Actuator Assy
2	1	FC100	1" HI TORQUE CLAMP
3	1	MEV100XR1	1" Manifold Valve SubAssy
4	1	MVE004	MVE Mounting Breather

WIRING:

RED = +12VDC  
 BLACK = GROUND  
 WHITE = SIGNAL (+12VDC)  
 GREEN = SIGNAL (GROUND)



THIS DRAWING AND ALL INFORMATION CONTAINED THEREON ARE THE EXCLUSIVE PROPERTY OF BANJO CORPORATION. UNLESS SPECIFICALLY NOTED, THIS DRAWING AND ITEMS SHOWN ON THIS DRAWING ARE SUBJECT TO CHANGE AT ANY TIME.

**BANJO CORPORATION**  
 150 BANJO DRIVE, CRAWFORDSVILLE, IN 47933  
 WEB SITE: WWW.BANJOCORP.COM  
 E-MAIL: BANJOSALES@IDEXCORP.COM

DEFINITION: Electric Valve 3/4 Sec, 4 Wire, On/Off  
 PART NUMBER: MEV100CF4