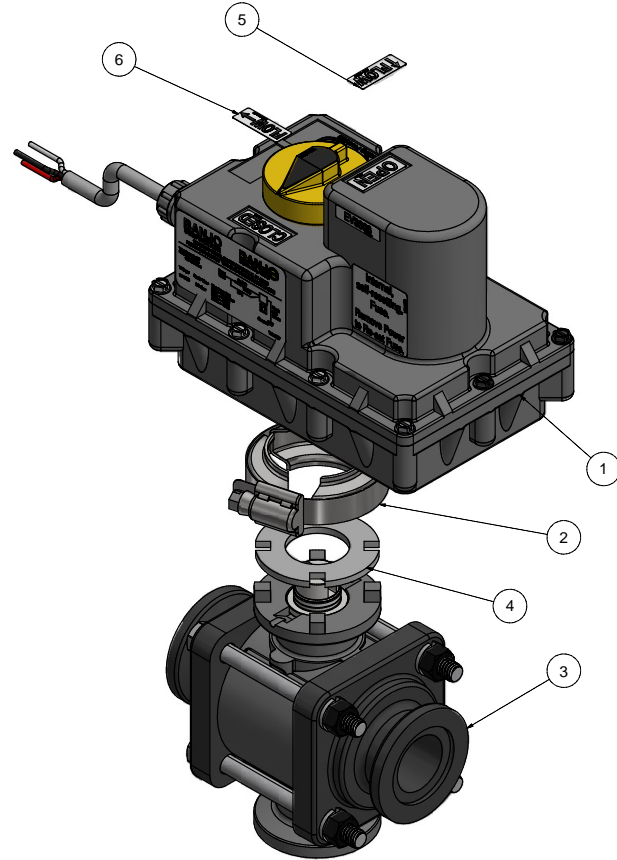


Parts List			
ITEM	QTY	PART NUMBER	DESCRIPTION
1	1	EV3300	3/4 Sec, 3 Wire, EV Actuator Assy
2	1	FC100	1" HI TORQUE CLAMP
3	1	MEV100BLXR1	1" BL Manifold Valve SubAssy
4	1	MVE004	MVE Mounting Breather
5	1	VEL1020	VE "BL" Sticker
6	1	VEL1021	VE "BL" Sticker



BANJO CORPORATION
 150 BANJO DRIVE, CRAWFORDSVILLE, IN 47933
 WEB SITE: WWW.BANJOCORP.COM
 E-MAIL: BANJOSALES@IDEXCORP.COM

THIS DRAWING AND ALL INFORMATION CONTAINED THEREON ARE THE EXCLUSIVE PROPERTY OF BANJO CORPORATION.

UNLESS SPECIFICALLY NOTED, THIS DRAWING AND ITEMS SHOWN ON THIS DRAWING ARE SUBJECT TO CHANGE AT ANY TIME.

DESCRIPTION
1" BL Manifold Electric Valve 3/4 Sec, 3 Wire, On/Off
 PART NUMBER
MEV100BLCF