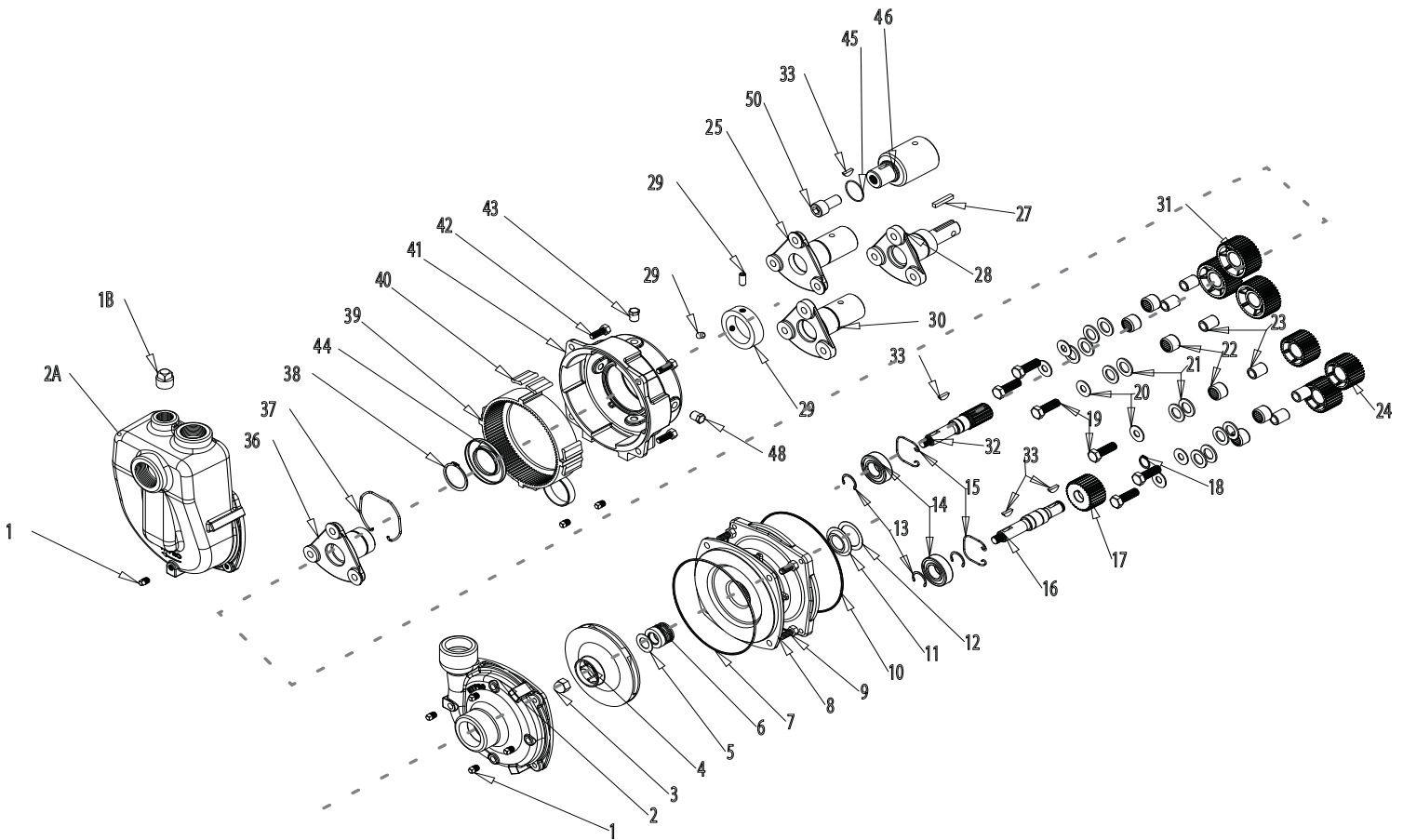


## Replacement Parts

The following drawings show the pumps and their replacement parts. **Only genuine replacement parts should be used. Failure to follow this warning can result in damage to property, serious injury or death.** If the pump malfunctions or is defective, it should be sent back to Hypro for service.

**9006C-O, 9016C-O, 9008C-O, 9018C-O, 9028C-O, 90029, 9006C-O-SP, 9016C-O-SP, 9028C-O-SP**



Ref. No.	Qty. Req'd.	Part No.	Description
1	4	2406-0007	Drain Plug
1B	1	2406-0001	Drain Plug
2	1	0150-9000C	Pump Casing (w/ SS wear ring)
2A	1	3430-0480SP	Pump Casing (Self-Priming Units)
3	1	2253-0001	Impeller Nut
4	1	0400-9000P	Impeller (Nylon)
5	1	1700-0101	Gasket
6	1	2120-0010	Mechanical Seal (Optional Buna-N)
6	1	3430-0334	Mechanical Seal (Standard Viton)
7	1	1720-0083	O-Ring
8	1	0752-9000C	Mounting Flange Adapter
9	4	2210-0020	Hex Head Capscrew
10	1	1720-0139	O-Ring
11	1	2130-0018	Bearing Lip Seal
12	1	1700-0098	Gasket
13		1810-0013	Retaining Ring - (1) required for 540 rpm, (2) for 1-3/8" and (3) for 1-3/4" 1000 rpm
14	1	2008-0001	Ball Bearing
15	1	1820-0025	Retaining Ring
15	3	2210-0046	Capscrew

Ref. No.	Qty. Req'd.	Part No.	Description
16	1	0500-9002	Impeller Shaft (1000rpm)
17	1	3900-0013	Sun Gear (1000 rpm)
18	1	1810-0011	Retaining Ring (1000 rpm)
19	3	2210-0046	Hex Head Capscrew
20	3	2270-0003	Washer
21	6	2265-0003	Thrust Washer
22	3	2007-0052	Bearing (included with driver gear)
23	3	2007-0022	Bearing Inner Race
24	3	3900-0040	Driver Gear w/ Bearing (1000 rpm) 32 teeth, Dia. 2.13"
25	1	0562-9002D	Driver Hub (Model 9008C-O)
26	1	0501-9018D	Driver Hub (Model 9018C-O)
27	1	1610-0005	Key
28	1	0501-9016D	Driver Hub (Model 9016C-O)
29	1	3435-0058	Locking Collar Kit (hollow shaft)
30	1	0562-9000D	Driver Hub (Model 9006C-O)
31	3	3900-0039	Driver Gear w/ Bearing (540 rpm) 39 teeth, Dia. 2.6"
32	1	3900-0010	Impeller Shaft/Pinion Gear (540rpm)
33		1610-0012	Woodruff Key *(1) req'd for 540rpm, (2) req'd for 1000 rpm models.
34	1	2220-0035	Capscrew (Model 9028C)
35	1	2403-0012	Bushing (Model 9028C)
36	1	0501-9018D1	Driver Hub (Model 9028C)
37	1	1800-0014	Retaining Ring
38	1	1810-0001	Retaining Ring
39	1	3900-0009	Ring Gear
40	8	1450-0004	Cushion Bumper
41	1	0754-9000C	Gear Casing
42	4	2210-0026	Hex Head Capscrew
43	1	2404-0193	Breather Vent
44	1	2102-0025	Oil Seal
45	1	1720-0022	O-Ring
46	1	0550-1322F4	Driver Hub (9028C-0) 1-3/4"Hub 20 Teeth
47	1	3430-0190	Locking Collar Kit (Model 9028C)
48	4	2406-0019	Oil Plug
49	1	1520-0034	Mounting Clip
50	1	2220-0035	Capscrew
	1	2005-0006	Bearing

**NOTE:** When ordering parts, give QUANTITY, PART NUMBER, DESCRIPTION, and COMPLETE MODEL NUMBER. Reference number are used ONLY to identify part in the drawing and are NOT to be used as order numbers.

**Seal, O-Ring Repair Kit  
No. 3430-0334**

consists of:  
(1) Ref. 5 Gasket, (1) Ref. 6 Mechanical Seal and (1) Ref. 7 O-Ring.

**Gear Lube Requirement:**  
8oz. Phillube SAE 80W90 Oil

**Life Guard Seal Kit**

**No. 3430-0591**

Consists of:  
Ref. 6 and Ref. 7.