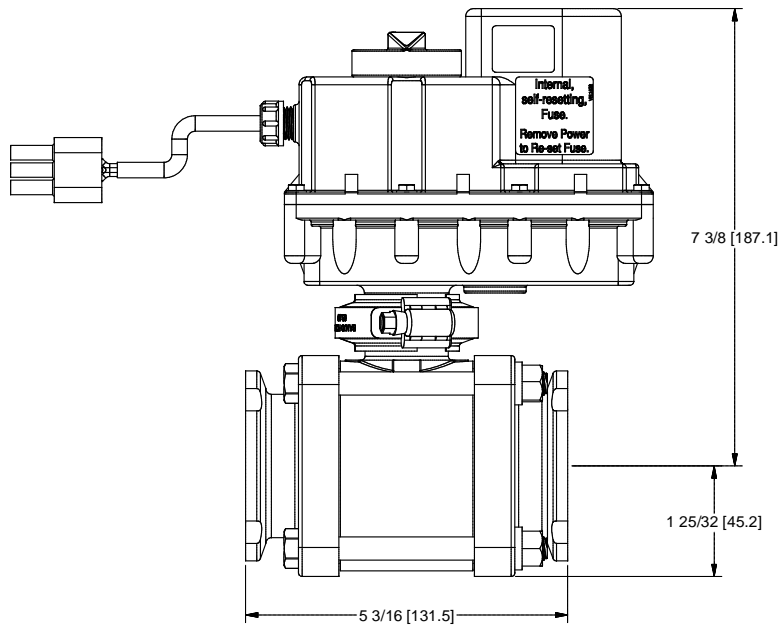
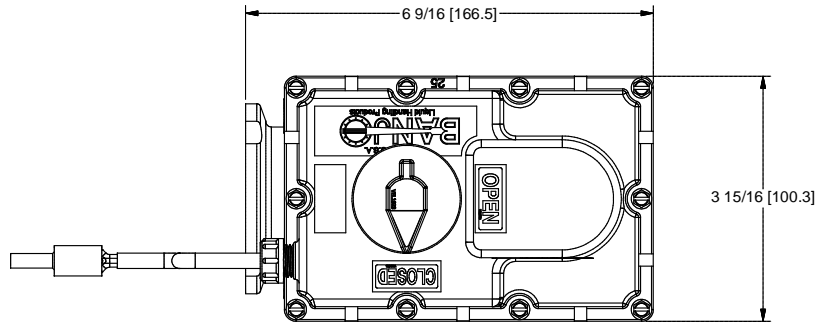
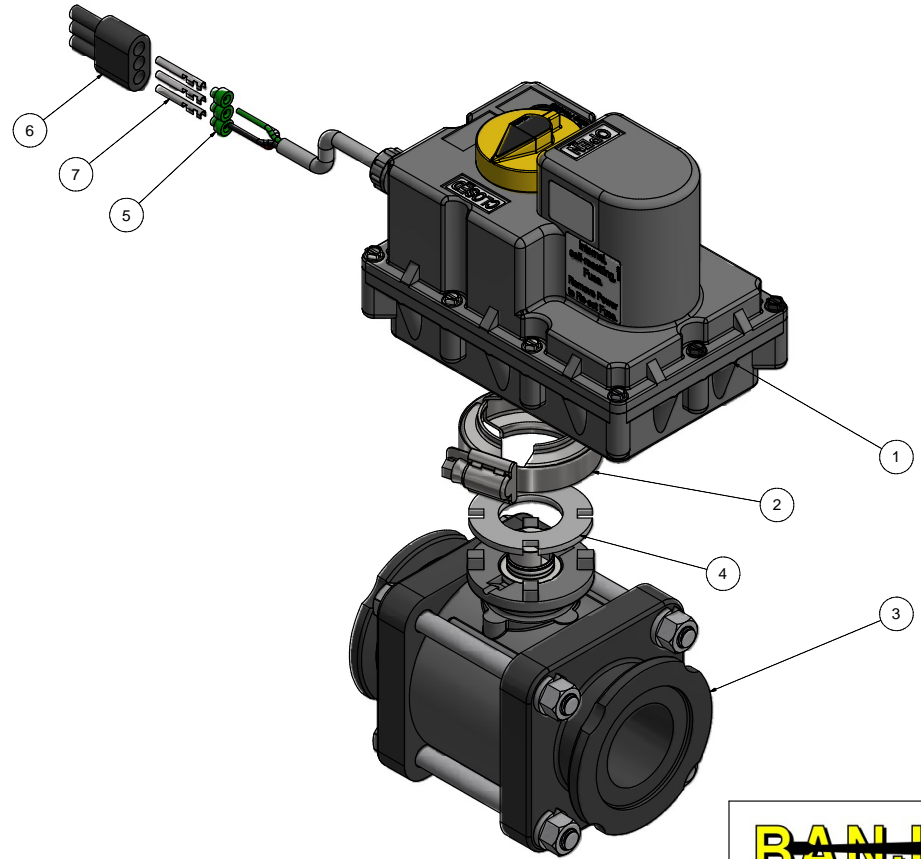


PIN CONNECTIONS:

A = RED
 B = BLACK
 C = WHITE



Parts List			
ITEM	QTY	PART NUMBER	DESCRIPTION
1	1	EV4301	1 1/4 Sec. 3 Wire, EV Actuator Assy, Open Verify
2	1	FC100	1" HI TORQUE CLAMP
3	1	MEV200XR1	2" Manifold Valve SubAssy
4	1	MVE004	MVE Mounting Breather
5	3	VE001	CABLE SEAL
6	1	VE009	3 TERMINAL MALE TOWER
7	3	VE010	FEMALE TERMINAL



BANJO CORPORATION
 150 BANJO DRIVE, CRAWFORDSVILLE, IN 47933
 WEB SITE: WWW.BANJOCORP.COM
 E-MAIL: BANJOSALES@IDEXCORP.COM

THIS DRAWING AND ALL INFORMATION CONTAINED THEREON ARE THE EXCLUSIVE PROPERTY OF BANJO CORPORATION.
 UNLESS SPECIFICALLY NOTED, THIS DRAWING AND ITEMS SHOWN ON THIS DRAWING ARE SUBJECT TO CHANGE AT ANY TIME.

DESCRIPTION:
 2" Manifold Electric Valve 4 Sec, 3 Wire, On/Off w/ Cnctr
 PART NUMBER
 MEV202CF