

1

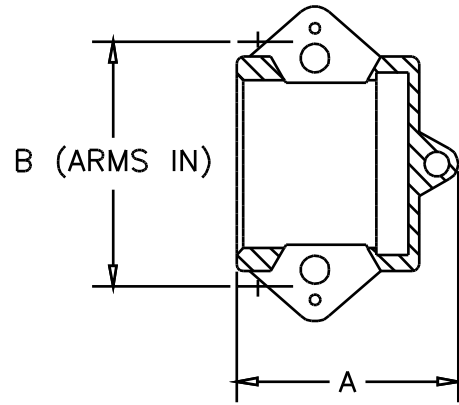
2

3

4

C

C



B

B

B - SS								
	3/4"	1"	1 1/4"	1 1/2"	2"	2 1/2"	3"	4"
A	1.69	2.09	2.33	2.30	2.58	2.82	3.02	3.05
B	2.41	2.76	3.27	3.82	3.91	4.45	5.35	7.05

A

A



**BANJO CORPORATION**  
 150 BANJO DR. • CRAWFORDSVILLE, IN 47933

<small>TOLERANCES UNLESS OTHERWISE SPECIFIED</small> DECIMALS .00 = +/- .010 DECIMALS .000 = +/- .005 FRACTIONS 1/X = +/- 1/32 ANGLES +/- 1 BREAK ALL SHARP CORNERS W/ 1/32 R UNLESS OTHERWISE SPECIFIED	<small>PART NO.</small> SCAPSS	<small>TITLE</small> CAP - SS COUPLING DIMS. FOR SALES	
	<small>DWN</small> MJC	<small>DATE</small> 2/3/04	<small>SCALE</small> 1" = 1"
	<small>APP.</small>	<small>DATE</small>	<small>SHEET SIZE</small> II
	<small>DWG NO.</small> SCAPSS	<small>REV</small> 0	
	<small>SHEET:</small> 1 OF 1		

No.	ECR#	Location	Description	Drawn By	Date

1

2

3

4