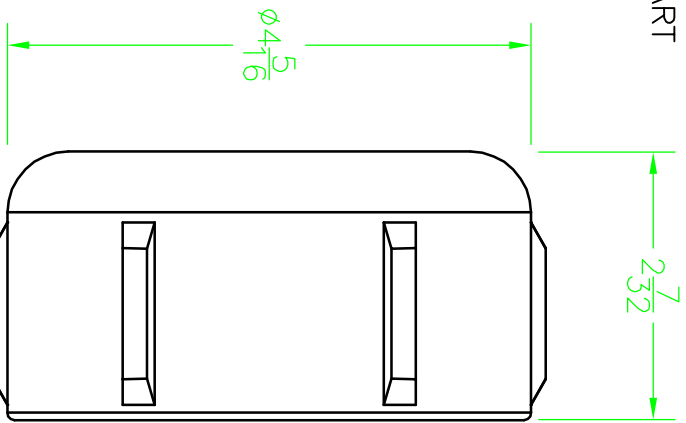
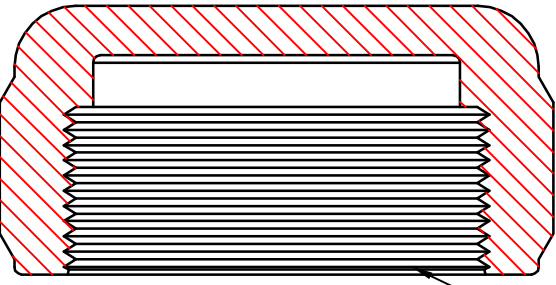



3" ANS BLUNT START  
TAPER PIPE THD



THIS DRAWING AND ALL INFORMATION CONTAINED HEREIN ARE THE PROPERTY OF BANDO CORPORATION. ALL RIGHTS ARE RESERVED. ANY REPRODUCTION OR TRANSMISSION OF THIS DRAWING WITHOUT WRITTEN PERMISSION FROM BANDO CORPORATION IS STRICTLY PROHIBITED. DIMENSIONS AND TOLERANCES ARE SUBJECT TO CHANGE WITHOUT NOTICE.

	
<b>LIQUID HANDLING PRODUCTS</b>	
<b>BANDO CORPORATION</b>	
150 BANDO DR. • CRAWFORDVILLE, IN 47933	
PART NO.	CAP300
TITLE	3" PIPE CAP