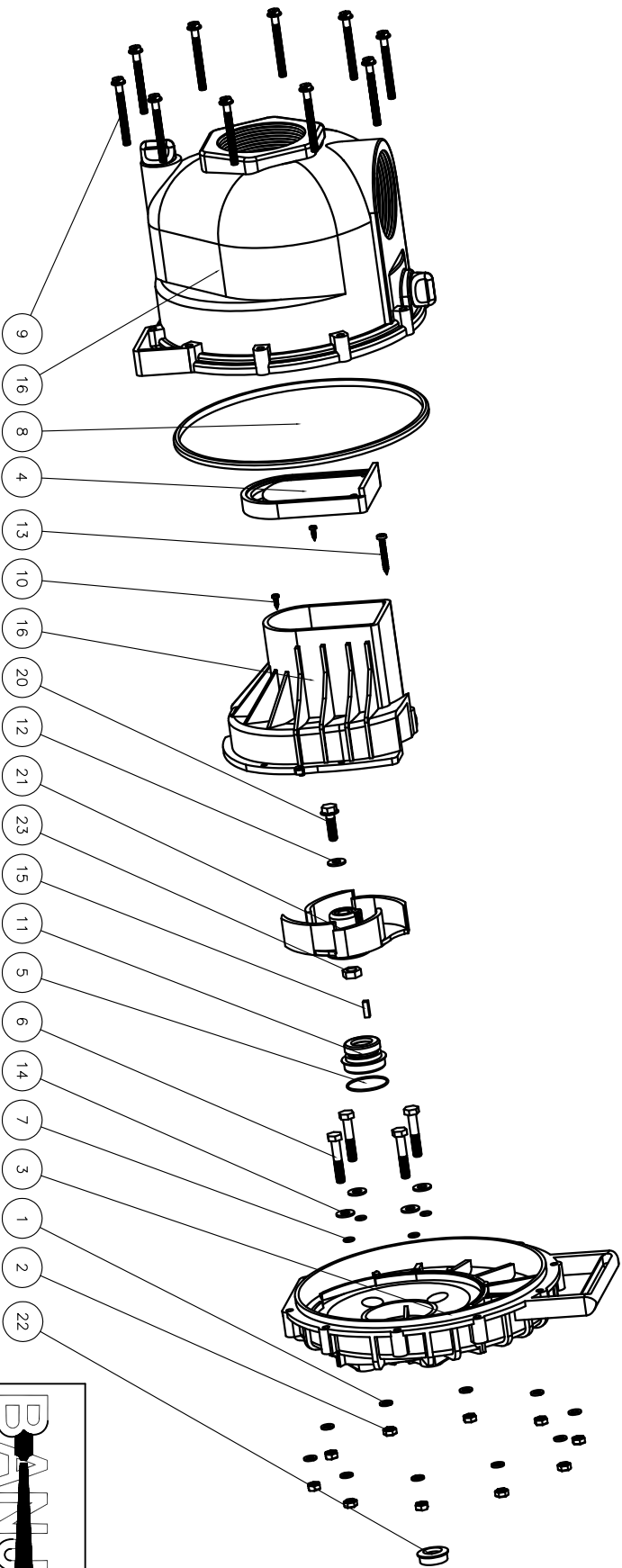


Parts List

Item Qty	PART NO.	DESCRIPTION
1	10 V07018	1/4" LOCKWASHER
2	10 V07019	1/4" HEX NUT
3	12703A	POLY PUMP REAR BRKT
4	12705	CHECK VALVE
5	12710	O/RING FOR SEAL ASSY
6	4 12715A	5/16-24 X 1 3/4 HHCS
7	4 12717	O/RING FOR SCREW HD
8	1 12719A	PUMP BODY O/RING
9	10 12720	BODY SCREW
10	2 12725	#6 X 1/2" PPH SMS
11	1 12733	SEAL ASSEMBLY
12	1 12774VA	IMPELLER BOLT GASKET
13	1 12900	#10 X 1 1/2" PPH SMS
14	4 12901	5/16" FLAT WASHER
15	1 12902A	3/16X3/16X5/8 KEY
16	1 13702	3" POLY PUMP VOLUME
17	1 13712	3" PUMP BODY ASSY.
18	1 12754	O/RING SEGMENT (N/S)
19	1 12910	PUMP DECAL (N/S)
20	1 12765A	5/16-24 X 1 1/8 HFS
21	1 13771	3" POLY IMPELLER
22	1 12716	SLINGER
23	1 12775A	7/16-14 HEX NUT



BANJO CORPORATION
 150 BANJO DR • GRAMMERCROSVILLE, IN 47933

PART NO. 300PO

TITLE 3" POLY PUMP ONLY FOR GAS ENGINES

THIS DRAWING AND ALL INFORMATION CONTAINED HEREIN ARE THE SOLE PROPERTY OF BANJO CORPORATION. UNLESS SPECIFICALLY NOTED, THIS DRAWING AND ALL INFORMATION CONTAINED HEREIN ARE SUBJECT TO CHANGE AT ANY TIME.