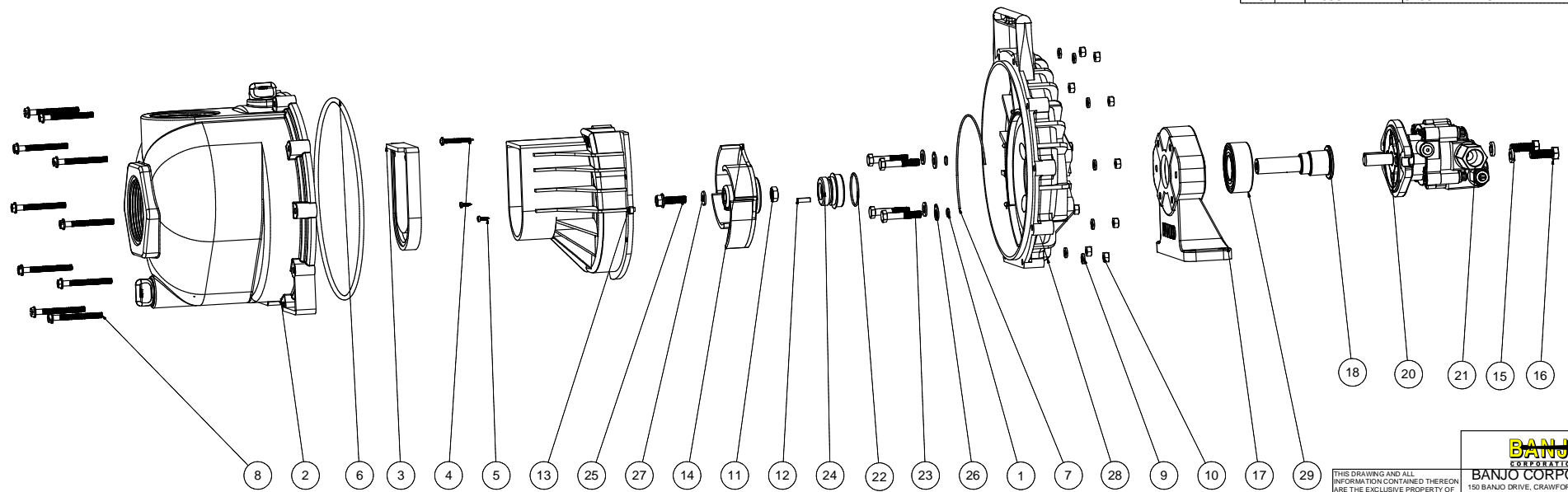


Parts List			
ITEM	QTY	PART NUMBER	DESCRIPTION
1	4	12717BN	#11 O'RING
2	1	13712BN	3" POLY PUMP BODY ASSY.
3	1	12705BN	CHECKVALVE
4	1	12900	#10 X 1 1/2" PPH SMS
5	2	12725	#6 X 1/2" PPH SMS
6	1	12719ABN	#375 O'RING
7	1	12754BN	O'RING SEGMENT
8	10	12720	1/4-20 X 2 1/2" SL IND HWHS
9	10	V07018	1/4" LOCKWASHER
10	10	V07019	1/4-20 HEX NUT
11	1	12775A	7/16-14 HEX NUT
12	1	12902A	3/16" SQ. X 5/8" KEY
13	1	13702	3" POLY PUMP VOLUTE
14	1	13772	3" POLY PUMP IMPELLER
15	2	V20018	3/8" LOCKWASHER
16	2	18010SS	3/8-16 X 1 1/8" HHCS
17	1	12049E	HYD. MOTOR PEDESTAL
18	1	12055E	HYD. ADAPTER SHAFT
19	1	12910	DECAL (N/S)
20	1	HY10131	MGG20025BC1D3 GRESEN HYD MTR
21	1	HY10132	HYD. CHECK VALVE
22	1	12710BN	#029 O'RING
23	4	12715A	5/16-24 X 1 3/4" HHCS
24	1	12733BN	MECH SEAL ASSY - BUNA
25	1	12765A	5/16-24 X 1 1/8" HFS
26	4	12901	5/16" FLAT WASHER
27	1	12774VA	IMPELLER BOLT GASKET
28	1	12703A	POLY PUMP REAR BRACKET
29	1	17056E	3206 BEARING



THIS DRAWING AND ALL INFORMATION CONTAINED THEREON ARE THE EXCLUSIVE PROPERTY OF BANJO CORPORATION.

UNLESS SPECIFICALLY NOTED, THIS DRAWING AND ITEMS SHOWN ON THIS DRAWING ARE SUBJECT TO CHANGE AT ANY TIME.

**BANJO CORPORATION**  
 150 BANJO DRIVE, CRAWFORDSVILLE, IN 47933  
 WEB SITE: WWW.BANJOCORP.COM  
 E-MAIL: SALES1@BANJOCORP.COM

DESCRIPTION  
 3" POLY PUMP W/ HYDRAULIC MOTOR  
 PART NUMBER  
 300PHYB