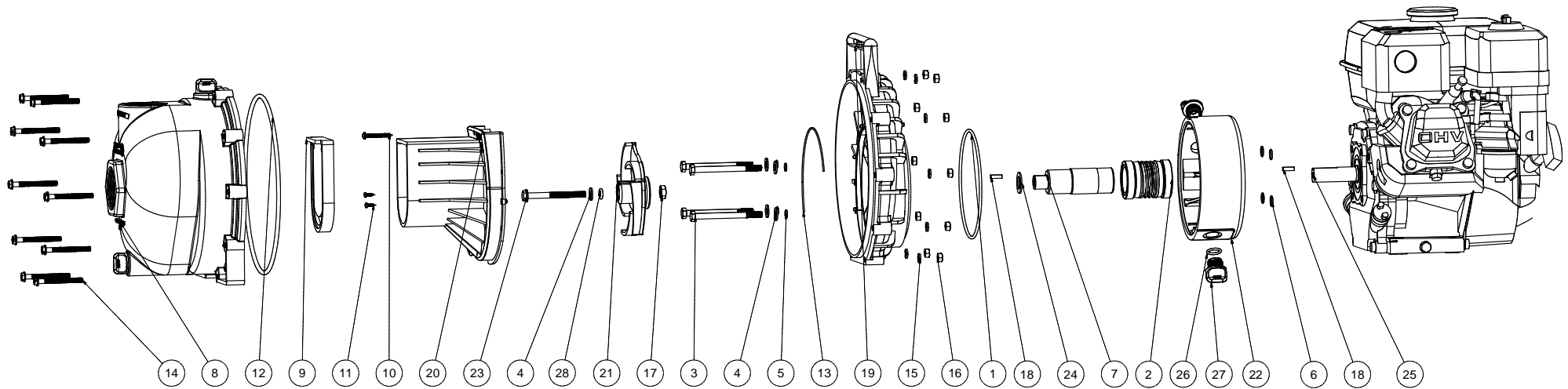


Parts List			
ITEM	QTY	PART NUMBER	DESCRIPTION
1	1	13719	#256 O'RING
2	1	15035E	MECH. SEAL ASSY., EPDM
3	4	12034	5/16 - 24 X 3 3/4" HHCS
4	5	12901	5/16" FLAT WASHER
5	4	12717	#11 O'RING
6	4	12709	#13 O-RING
7	1	12155	ADAPTER SHAFT
8	1	12712A	2" PUMP BODY ASSY
9	1	12705	CHECKVALVE
10	1	12900	#10 X 1 1/2" PPH SMS
11	2	12725	#6 X 1/2" PPH SMS
12	1	12719A	#375 O'RING
13	1	12754	O'RING SEGMENT
14	10	12720	1/4-20 X 2 1/2" SL IND HWHS
15	10	V07018	1/4" LOCKWASHER
16	10	V07019	1/4-20 HEX NUT
17	1	12775A	7/16-14 HEX NUT
18	2	12902A	3/16" SQ. X 5/8" KEY
19	1	12707W	2" W.S. REAR BRACKET
20	1	12702A	2" POLY PUMP VOLUTE
21	1	12772	IMPELLER
22	1	12202W	2" POLY RESERVOIR
23	1	12766	5/16-24 X 3 1/4" HFS
24	1	CV10175	GASKET
25	1	E5H	5.5 HP HONDA
26	2	UV15163	2-114 O'RING
27	2	12777	1/2" DRAIN PLUG
28	1	A203V	#203 O'RING



THIS DRAWING AND ALL INFORMATION CONTAINED THEREON ARE THE EXCLUSIVE PROPERTY OF BANJO CORPORATION.  
UNLESS SPECIFICALLY NOTED, THIS DRAWING AND ITEMS SHOWN ON THIS DRAWING ARE SUBJECT TO CHANGE AT ANY TIME.

**BANJO CORPORATION**  
150 BANJO DRIVE, CRAWFORDSVILLE, IN 47933  
WEB SITE: WWW.BANJOCORP.COM  
E-MAIL: SALES1@BANJOCORP.COM

DESCRIPTION  
2" POLY WET SEAL PUMP  
PART NUMBER  
200PH5W