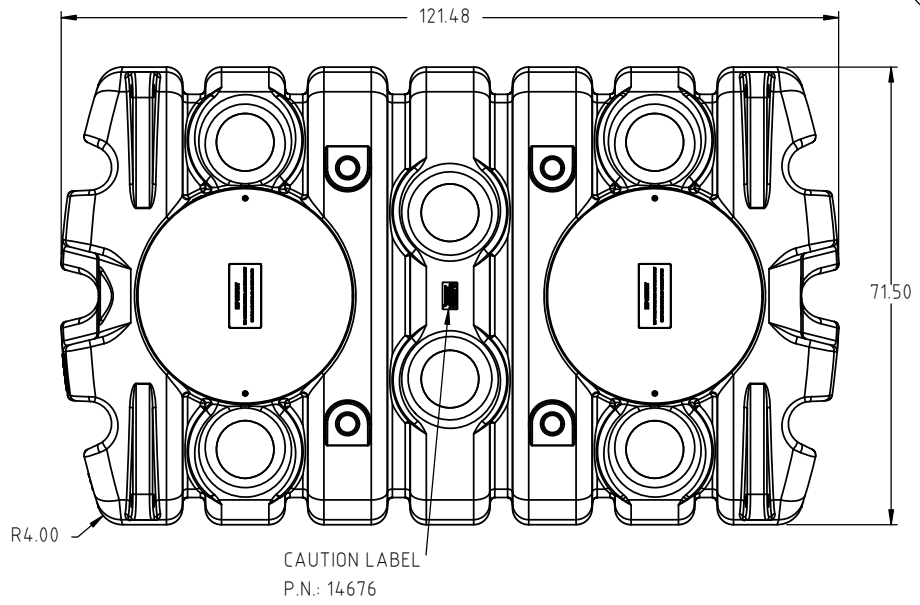


Copyright. All information furnished within this document, electronic file or design correspondence is the property of Den Hartog Industries, Inc. and shall not be used, disclosed to others or copied without the expressed written consent of Den Hartog Industries, Inc.

CAUTION LABEL 14676

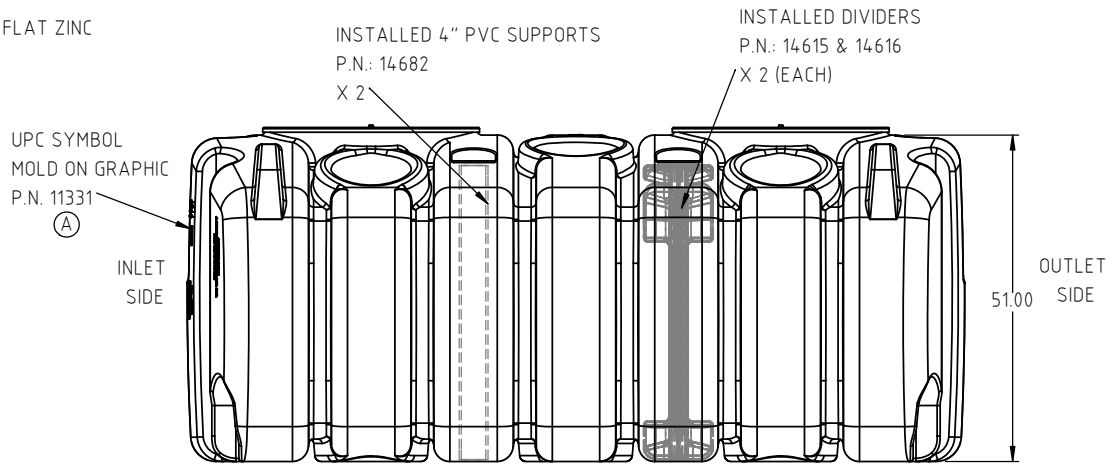
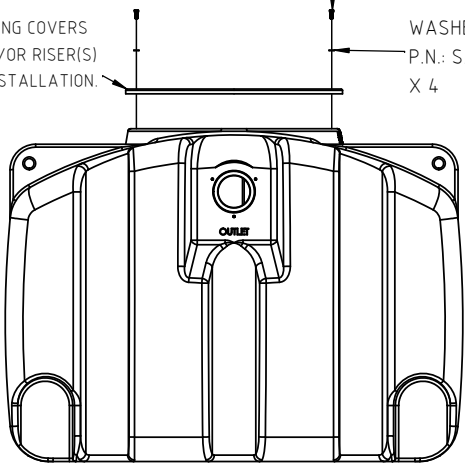
**CAUTION**  
**36" MAXIMUM BURIAL**  
**DEPTH TO HERE**  
 FAILURE TO HEED MAY RESULT IN TANK FAILURE  
14676



BOLT, 3/8" X 1" HEX GR 5 ZINC  
 P.N.: 10089  
 X 4

WASHER, 3/8" FLAT ZINC  
 P.N.: SJ10937  
 X 4

STANDARD TANK SENT WITH TWO 19465 SHIPPING COVERS BUT BURIAL LID(S) AND/OR RISER(S) REQUIRED FOR FINAL INSTALLATION.



				DRAWN / DATE ADH 12/2/16	MATERIAL
A	11331 NOTE ADDED TO THE PRINT.	ADH 5/7/18	3553	APPRD. / DATE REH 7/19/17	
REV	DESCRIPTION	BY / DATE	CCN		
ALL DIMENSIONS ARE IN DECIMAL INCHES TOLERANCES UNLESS OTHERWISE SPECIFIED		THIRD ANGLE PROJECTION ANSI 14.5M		SHOT WEIGHT:	NOTES:
POLYETHYLENE		METAL DECIMAL ± .125" FRACTION ± 1/4" ANGLE ± 1°		SHIPPING WEIGHT: 533 LBS	
±1% @ 68°F				FINISH:	



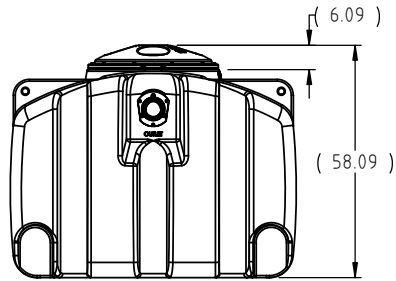
**Den Hartog**  
 INDUSTRIES, INC.

Ace Roto-Mold Injection Molding Blow Molding Sowjoy

4010 HOSPERS DRIVE S. BOX 425, HOSPERS, IOWA 51238-0425

DESCRIPTION	1000 GALLON LOW PROFILE TWO COMPARTMENT SEPTIC TANK ASSEMBLY AS SHIPPED		
SCALE	N.S.	PART NO.	LPS-1000-2

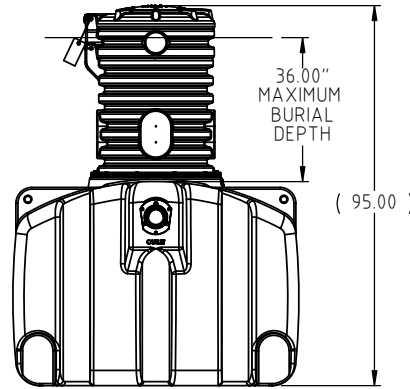
Copyright. All information furnished within this document, electronic file or design correspondence is the property of Den Hartog Industries, Inc. and shall not be used, disclosed to others or copied without the expressed written consent of Den Hartog Industries, Inc.



OPTIONAL  
BURIAL LID ASSEMBLY  
P.N.= ACT-16053BK  
SHOWN

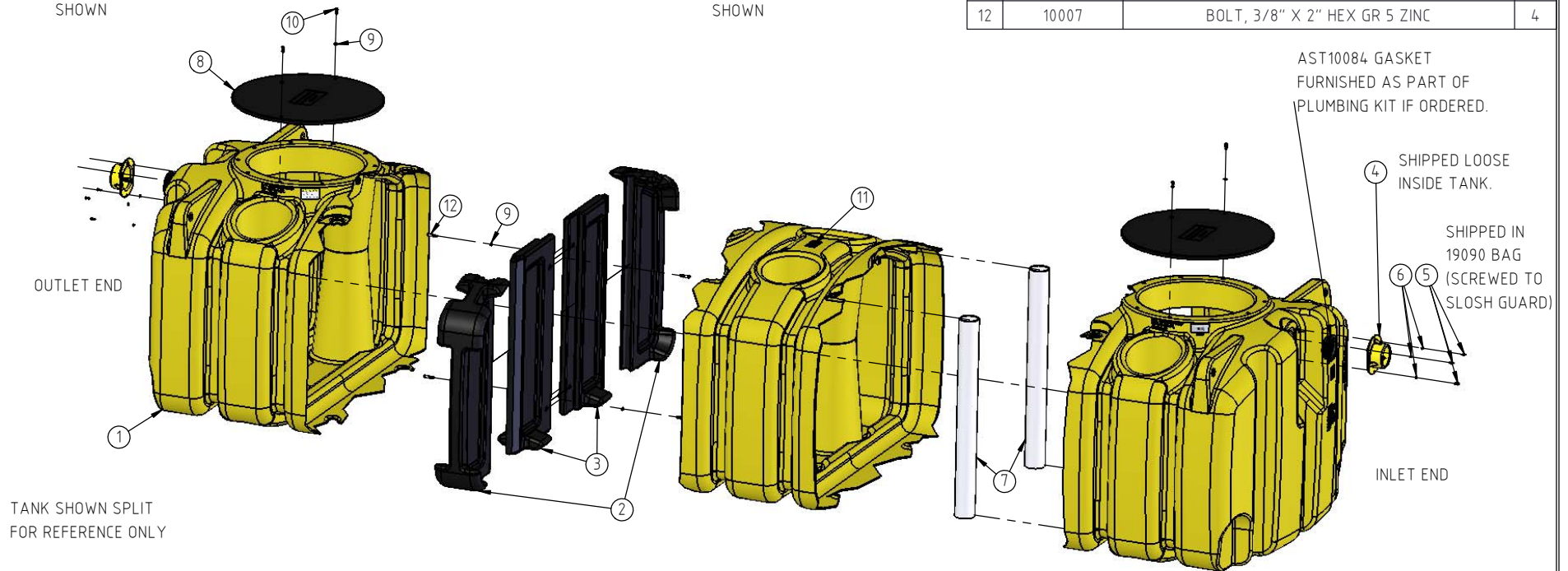
LID/COVER OPTIONS.  
(TWO COMPLETE COVERS  
REQUIRED FOR INSTALLATION).

- 1.) BURIAL LID ASSEMBLY  
P.N.=ACT-16053BK
- 2.) 16" GROUND ACCESS RISER  
P.N.=ACT-16054BK
- 3.) 28" GROUND ACCESS RISER  
P.N.=ACT-16052BK
- 4.) 7" EXTENSION (REQUIRES RISER)  
P.N.=AST19365
- 5.) 16" EXTENSION (REQUIRES RISER)  
P.N.=AST19212



OPTIONAL  
28" GROUND ACCESS RISER (ACT-16052BK)  
AND 7" EXTENSION (AST19365)  
SHOWN

KEY	PART NUMBER	DESCRIPTION	QTY.
1	LPS-1000	1000 GAL LOW PROFILE SEPTIC TANK	1
2	14616	OUTER DIVIDER	2
3	14615	INNER DIVIDER	2
4	AST19153	CLAMP, STABILIZER	2
5	10087	BOLT, 1/4" X 3/4" HEX GR5 ZINC	6
6	10626	WASHER, 1/4" FLAT ZINC	6
7	14682	PIPE, 4" SEPTIC/CISTERN SUPPORT PVC	2
8	19465	ACT, CISTERN SHIPPING COVER	2
9	SJ10937	WASHER, 3/8" FLAT ZINC	8
10	10089	BOLT, 3/8" X 1" HEX GR 5 ZINC	4
11	14676	LABEL, CAUTION SEPTIC	1
12	10007	BOLT, 3/8" X 2" HEX GR 5 ZINC	4



REV	DESCRIPTION	BY / DATE	CCN	DRAWN / DATE ADH 12/14/16	MATERIAL
				APPRD. / DATE REH 7/19/17	
ALL DIMENSIONS ARE IN DECIMAL INCHES TOLERANCES UNLESS OTHERWISE SPECIFIED		THIRD ANGLE PROJECTION ANSI 14.5M		SHOT WEIGHT:	NOTES:
POLYETHYLENE		METAL DECIMAL ± .125" FRACTION ± 1/4" ANGLE ± 1°		SHIPPING WEIGHT:	
±1% @ 68°F				FINISH:	



**Den Hartog**  
INDUSTRIES, INC.

Ace Roto-Mold Injection Molding Blow Molding Sowjoy

4010 HOSPERS DRIVE S. BOX 425, HOSPERS, IOWA 51238-0425

DESCRIPTION	1000 GALLON LOW PROFILE TWO COMPARTMENT SEPTIC TANK ASSEMBLY	
SCALE	N.S.	PART NO. LPS-1000-2