

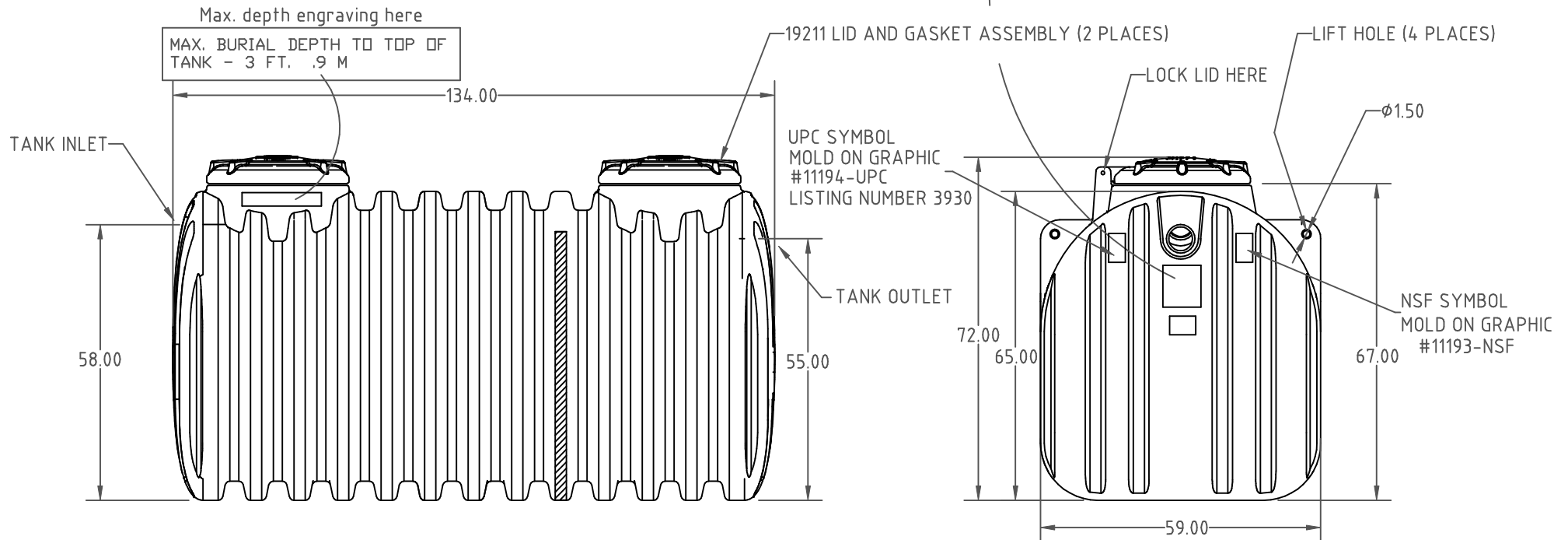
(A) REFERENCE PUBLICATION 10039 FOR SEPTIC TANKS OR PUBLICATION 10149 FOR CISTERN TANKS FOR SPECIFIC INSTALLATION GUIDELINES.

(C) DEN HARTOG INDUSTRIES, INC.
Copyright. All information furnished within this document, electronic file or design correspondence is the property of Den Hartog Industries, Inc. and shall not be used, disclosed to others or copied without the expressed written consent of Den Hartog Industries, Inc.


Typical Engraving

Ace Roto Mold
A Division of
Den Hartog Industries, Inc.

TANK CAPACITY.....1500 Gallons 5678 Liters
DATE OF MANUFACTURE.....Month / Year molded
DATE OF ASSEMBLY.....Month / Year assembled
SERIAL NUMBER.....Sequential serial number
STATE / LOCATION.....State assembled for (if applicable)



				DRAWN / DATE	MATERIAL
B	ADDED UPC & NSF GRAPHIC	5/25/07	DHJ	REH / 3/15/04	EXXON HD8660 HDPE OR EQUIVALENT REFERENCE MATERIAL DATA SHEET FOR SPECIFIC PROPERTIES.
A	ADDED PUBLICATION REF	9/30/05	NVE	APPRD. / DATE	
REV	DESCRIPTION	DATE	APPRD	REH / 3/15/04	
ALL DIMENSIONS ARE IN DECIMAL INCHES TOLERANCES UNLESS OTHERWISE SPECIFIED ± 1% @ 68° F				THIRD ANGLE PROJECTION ANSI 14.5M	NOTES: 1. MIN. WALL @ .250 2. YELLOW COLOR 3. SHOT WEIGHT 500 LBS.



Ace Roto-Mold

A DIVISION OF DEN HARTOG INDUSTRIES, INC.
HOSPERS DRIVE S., BOX 421, HOSPERS, IOWA 51238

CLIENT / DESCRIPTION		1500 GAL. TWO COMPARTMENT SEPTIC TANK	
SCALE	N.S.	PART NO.	AST-1500-2