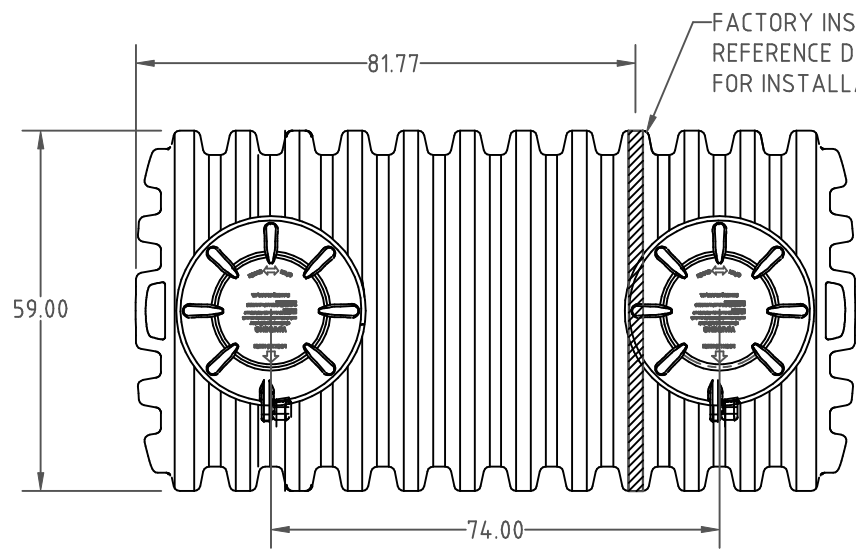


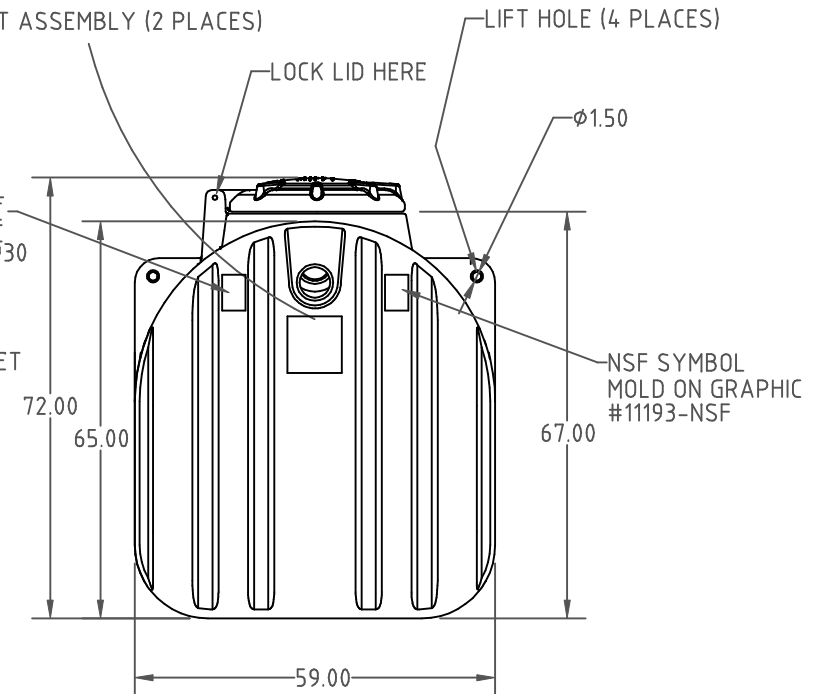
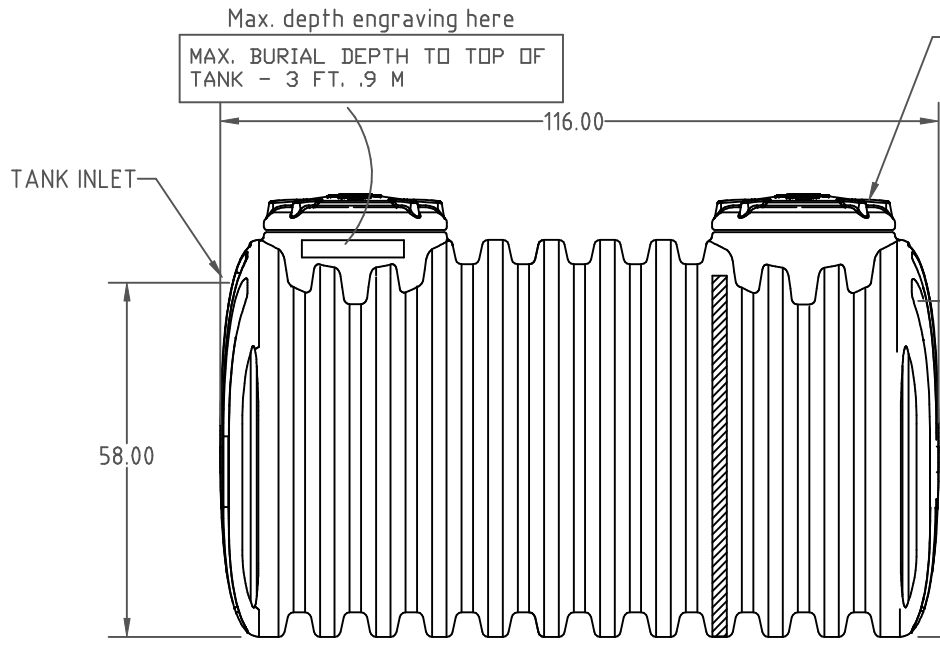
A REFERENCE PUBLICATION 10039 FOR SEPTIC TANKS OR PUBLICATION 10149 FOR CISTERN TANKS FOR SPECIFIC INSTALLATION GUIDELINES.

C DEN HARTOG INDUSTRIES, INC.  
 Copyright. All information furnished within this document, electronic file or design correspondence is the property of Den Hartog Industries, Inc. and shall not be used, disclosed to others or copied without the expressed written consent of Den Hartog Industries, Inc.




Typical Engraving  
 Ace Roto Mold  
 A Division of  
 Den Hartog Industries, Inc.

TANK CAPACITY.....1250 Gallons 4732 Liters  
 DATE OF MANUFACTURE.....Month / Year molded  
 DATE OF ASSEMBLY.....Month / Year assembled  
 SERIAL NUMBER.....Sequential serial number  
 STATE / LOCATION.....State assembled for (if applicable)



		DRAWN / DATE		MATERIAL	
B	ADDED UPC & NSF GRAPHIC	5/25/07	DHJ	REH / 3/15/04	EXXON HD8660 HDPE OR EQUIVALENT REFERENCE MATERIAL DATA SHEET FOR SPECIFIC PROPERTIES.
A	ADDED PUBLICATION REF	9/30/05	NVE	APPRD. / DATE	
REV	DESCRIPTION	DATE	APPRD	REH / 3/15/04	
ALL DIMENSIONS ARE IN DECIMAL INCHES TOLERANCES UNLESS OTHERWISE SPECIFIED ± 1% @ 68° F				THIRD ANGLE PROJECTION ANSI 14.5M 	
NOTES: 1. MIN. WALL @ .250 2. YELLOW COLOR 3. SHOT WEIGHT 4.12 LBS.					



## Ace Roto-Mold

A DIVISION OF DEN HARTOG INDUSTRIES, INC.  
 HOSPERS DRIVE S., BOX 421, HOSPERS, IOWA 51238

CLIENT / DESCRIPTION		1250 GAL. TWO COMPARTMENT SEPTIC TANK	
SCALE	N.S.	PART NO.	AST-1250-2