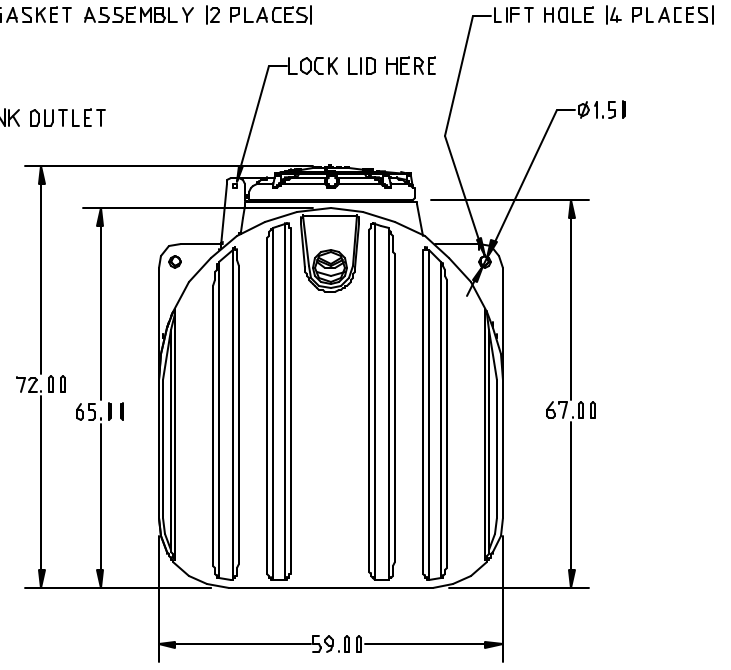
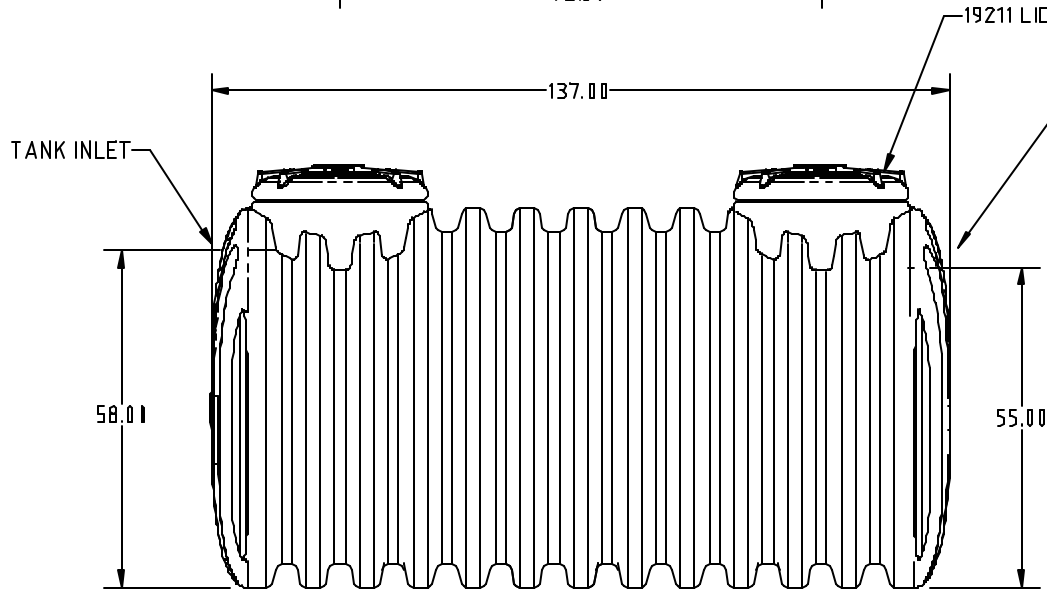
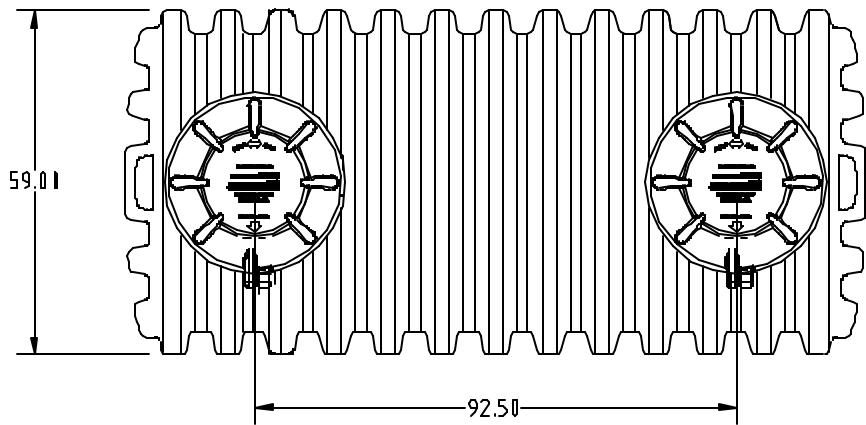



A REFERENCE PUBLICATION 10039 FOR SEPTIC TANKS OR PUBLICATION 10149 FOR CISTERN TANKS FOR SPECIFIC INSTALLATION GUIDELINES.

C DEN HARTOG INDUSTRIES, INC.
 Copyright. All information furnished within this document, electronic file or design correspondence is the property of Den Hartog Industries, Inc. and shall not be used, disclosed to others or copied without the expressed written consent of Den Hartog Industries, Inc.



				DRAWN / DATE REH / 3/15/14	MATERIAL EXXON HD8461 HDPE OR EQUIVALENT REFERENCE MATERIAL DATA SHEET FOR SPECIFIC PROPERTIES.
A	ADDED PUBLICATION REF	9/30/15	NVE	APPRD. / DATE REH / 3/15/14	
REV	DESCRIPTION	DATE	APPRD		
ALL DIMENSIONS ARE IN DECIMAL INCHES TOLERANCES UNLESS OTHERWISE SPECIFIED ± 1% @ 68° F				THIRD ANGLE PROJECTION ANSI 14.5M 	NOTES: 1. MIN. WALL @ .25" 2. YELLOW COLOR 3. SHOT WEIGHT 511 LBS.



Ace Roto-Mold
A DIVISION OF DEN HARTOG INDUSTRIES, INC.

CLIENT / DESCRIPTION		1500 GAL. SINGLE COMPARTMENT SEPTIC TANK	
SCALE	N.S.	PART NO.	AST-1500-1