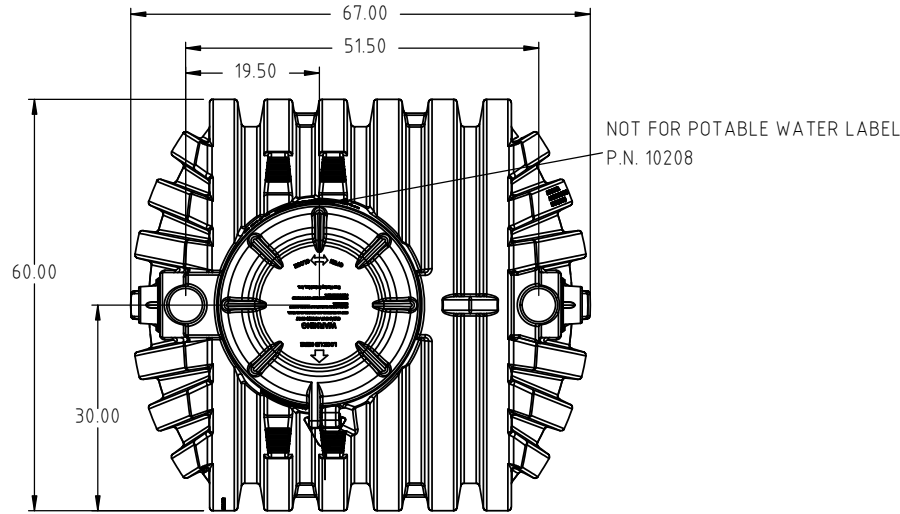


Copyright. All information furnished within this document, electronic file or design correspondence is the property of Den Hartog Industries, Inc. and shall not be used, disclosed to others or copied without the expressed written consent of Den Hartog Industries, Inc.

REFERENCE PUBLICATION 10039 FOR SEPTIC TANK OR PUBLICATION 10149 FOR CISTERN TANKS FOR SPECIFIC INSTALLATION GUIDELINES

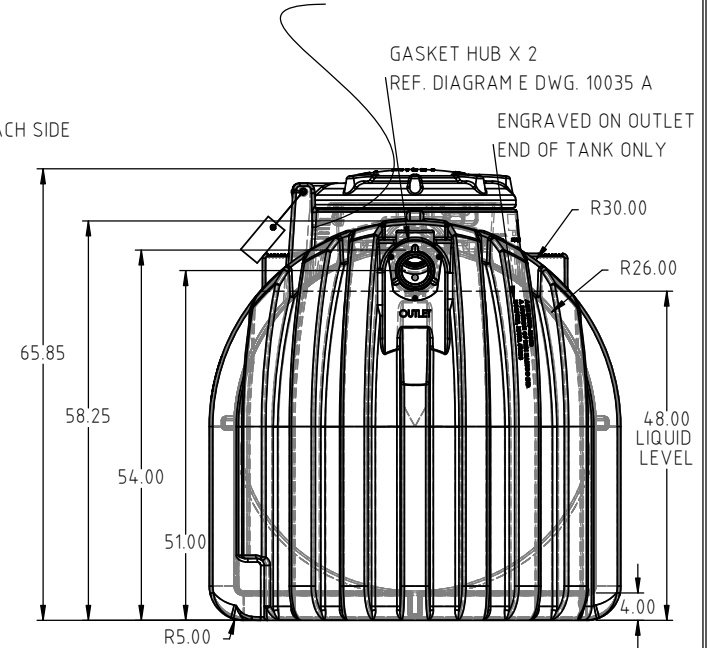
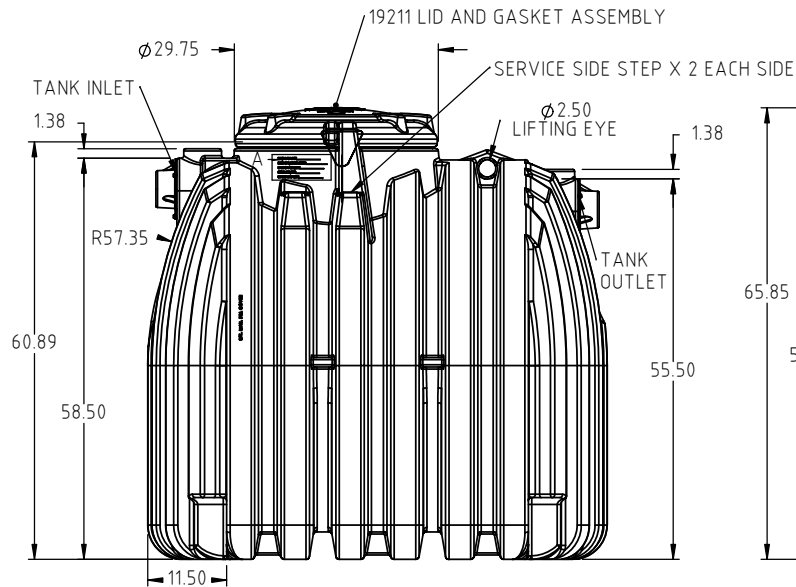
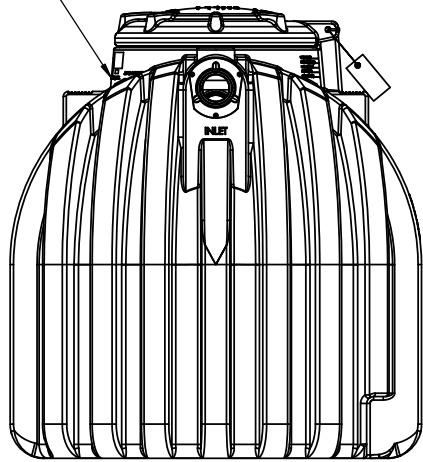
DETAIL A
SCALE 1 : 4



TANK CAPACITY	_____
DATE OF MANUFACTURE	_____
DATE OF ASSEMBLY	_____
SERIAL NUMBER	_____
STATE / LOCATION	_____

ENGRAVING ON OUTLET
END OF TANK ONLY

ENGRAVED
MAX BURIAL DEPTH TO TOP OF
TANK - 3 FT. .9M



REV	DESCRIPTION	BY / DATE	CCN	DRAWN / DATE ADH 1/19/18	MATERIAL OPTIONS (IN ORDER OF PREFERENCE): 13858
				APPRD. / DATE REH 2/14/18	
				SHOT WEIGHT: 245.00 LBS	NOTES: 1.) NOM. WALL @ .250 2.) BLACK COLOR
				SHIPPING WEIGHT: 262.00 LBS	
				FINISH:	



Den Hartog

INDUSTRIES, INC.

Ace Roto-Mold Injection Molding Blow Molding Sowjoy

4010 HOSPERS DRIVE S. BOX 425, HOSPERS, IOWA 51238-0425

DESCRIPTION 750 GAL. SINGLE COMPARTMENT SEPTIC TANK ASSEMBLY-RECLAIMED	
SCALE N.S.	PART NO. AST-0750-1R

ALL DIMENSIONS ARE IN DECIMAL INCHES
TOLERANCES UNLESS OTHERWISE SPECIFIED
POLYETHYLENE METAL
DECIMAL ± .125"
FRACTION ± 1/4"
ANGLE ± 1°
±1% @ 68°F

