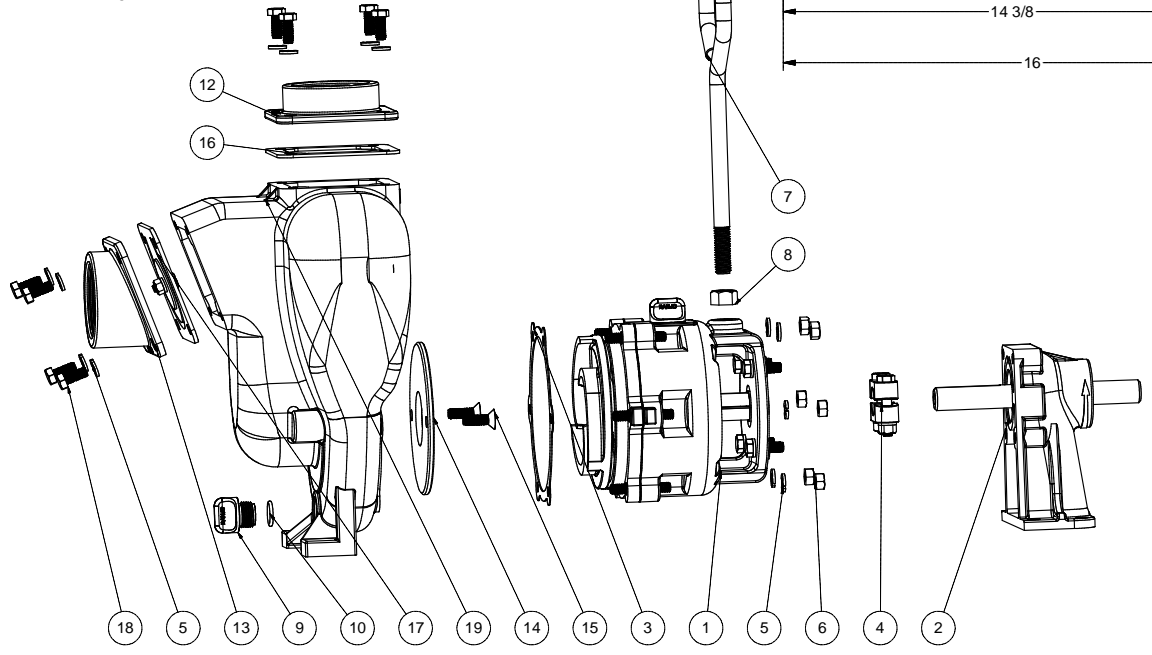


			Parts List	
ITEM	QTY	PART NUMBER	DESCRIPTION	
1	1	17200ASS	2" SS WET SEAL ASSY, NEW	
2	1	12882A	BEARING PEDESTAL	
3	1	17018	PUMP ADAPTER GASKET	
4	1	17123	CI PUMP KEYED CLAMP	
5	14	V10118	5/16" LOCKWASHER	
6	6	V10119	5/16" HEX NUT	
7	1	15022	2" PUMP HANDLE	
8	1	17010	1/2-13 HEX NUT	
9	1	12777SS	1/2" DRAIN PLUG	
10	1	UV15163V	2-114 O'RING	
11	1	12910	DECAL (N/S)	
12	1	17000SS	2" OUTLET FLANGE, SS	
13	1	17002SS	2" INLET FLANGE, SS	
14	1	17011SS	WEAR PLATE	
15	2	17130SS	5/16-18 X 1" FHSCS	
16	1	17014	OUTLET FLANGE GASKET, FKM	
17	1	17017	CI PUMP CHECK VALVE ASSY	
18	8	17019	5/16-18 X 3/4" HHCS	
19	1	17026SSX	2" PUMP HOUSING	



THIS DRAWING AND ALL INFORMATION CONTAINED THEREON ARE THE EXCLUSIVE PROPERTY OF BANJO CORPORATION.

UNLESS SPECIFICALLY NOTED, THIS DRAWING AND ITEMS SHOWN ON THIS DRAWING ARE SUBJECT TO CHANGE AT ANY TIME.

BANJO CORPORATION
 150 BANJO DRIVE, CRAWFORDSVILLE, IN 47933
 WEB SITE: WWW.BANJOCORP.COM
 E-MAIL: SALES1@BANJOCORP.COM

DESCRIPTION
2" SS WET SEAL PUMP W/ BEARING PED., NEW STYLE

PART NUMBER
201PBSSW