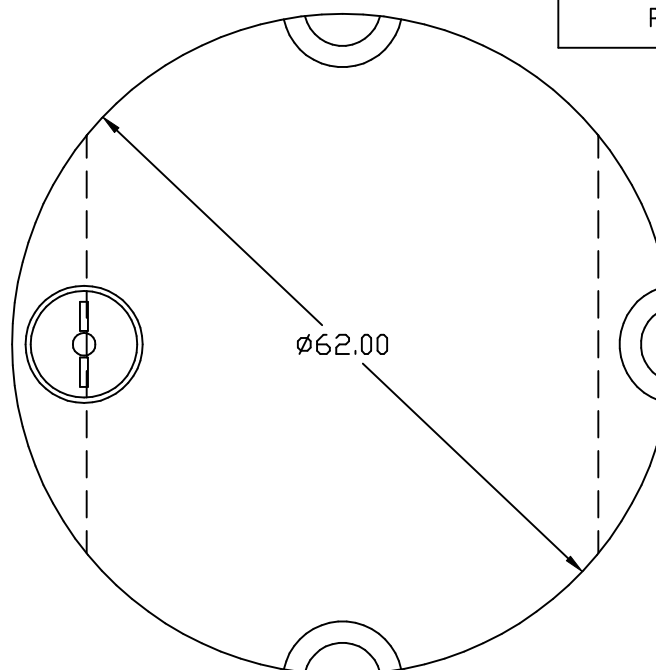


PROPRIETARY DATA

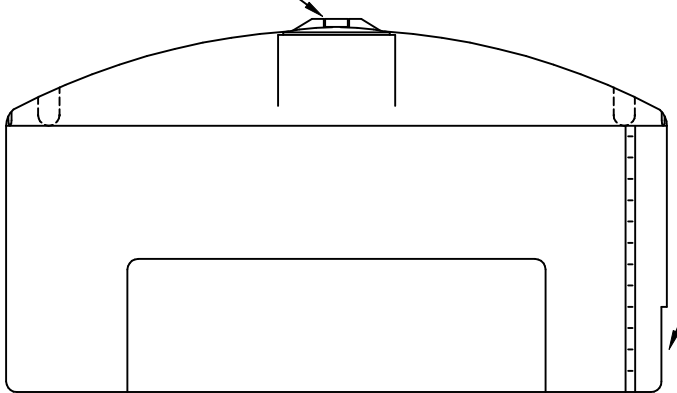
PROPERTY OF ACE ROTO-MOLD MFG., INC. INFORMATION FURNISHED HEREIN IS THE PROPERTY OF ACE ROTO-MOLD MFG., INC. AND SHALL NOT BE USED, DISCLOSED TO OTHERS, OR COPIED WITHOUT THE EXPRESSED WRITTEN CONSENT OF ACE ROTO-MOLD MFG., INC. ALL RIGHTS RESERVED.

PU0350-62



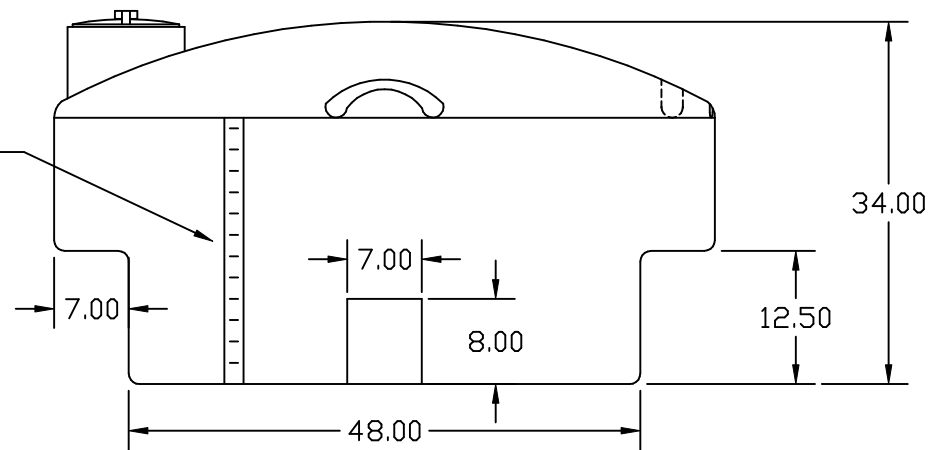
3x TIE DOWNS

8 INCH LID



FLAT FOR FITTING 2 INCH STANDARD

GALLON MARKERS



REV	DESCRIPTION	DATE	APPRD

ALL DIMENSIONS ARE IN DECIMAL INCHES
TOLERANCES UNLESS OTHERWISE SPECIFIED
± 1% @ 68° F

DRAWN / DATE DHJ 4/24/03	MATERIAL HDPE OR EQUIVALENT REFERENCE MATERIAL DATA SHEET FOR SPECIFIC PROPERTIES.
APPRD. / DATE ADH 11/14/07	
THIRD ANGLE PROJECTION ANSI 14.5M	

NOTES:

- SHOT WEIGHT 92 LBS.
- SHOT WEIGHT XXX LBS.

<p>ACE ROTO-MOLD A DIVISION OF DEN HARTOG INDUSTRIES, INC. 4018 HWY. 60 BLVD., BOX 421, HOSPERS, IOWA 51238</p>	
CLIENT / DESCRIPTION 350 GALLON PICKUP TANK	
SCALE N.S.	PART NO. PU0350-62