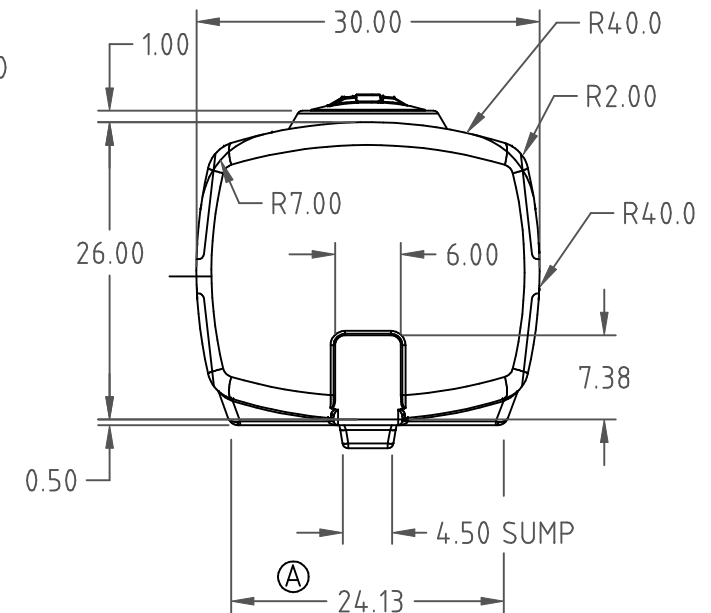
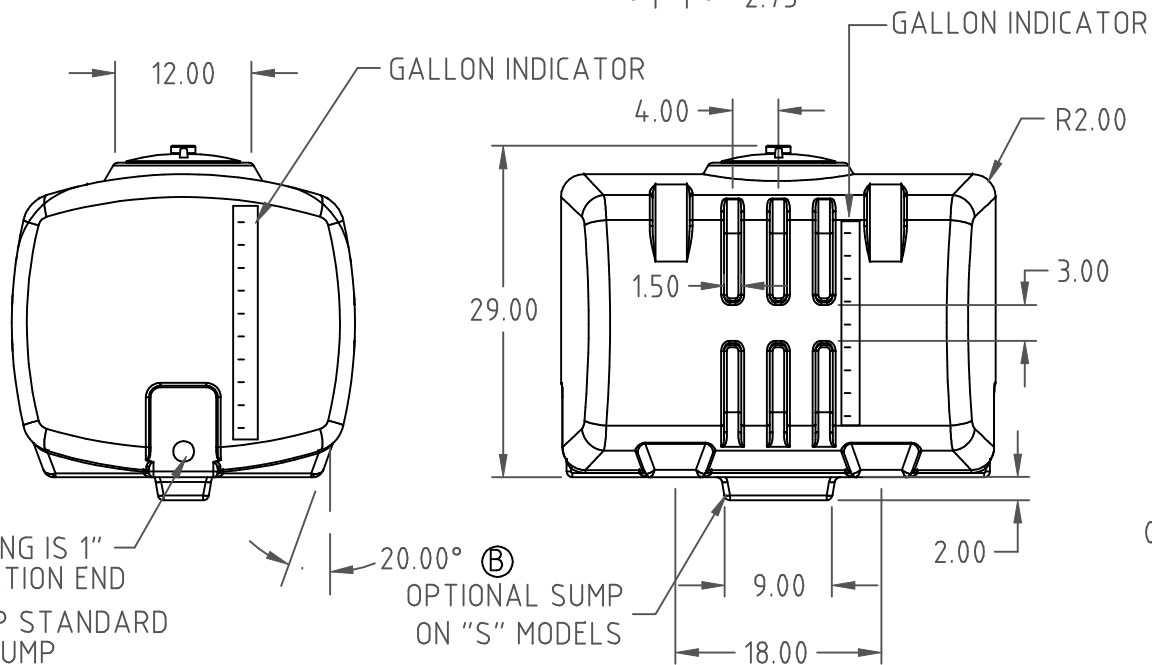
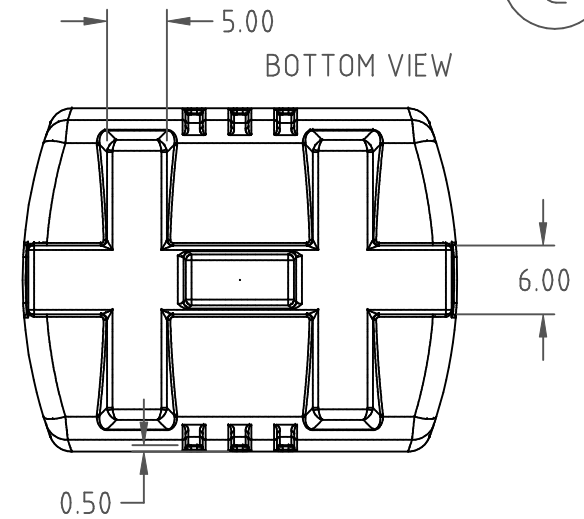
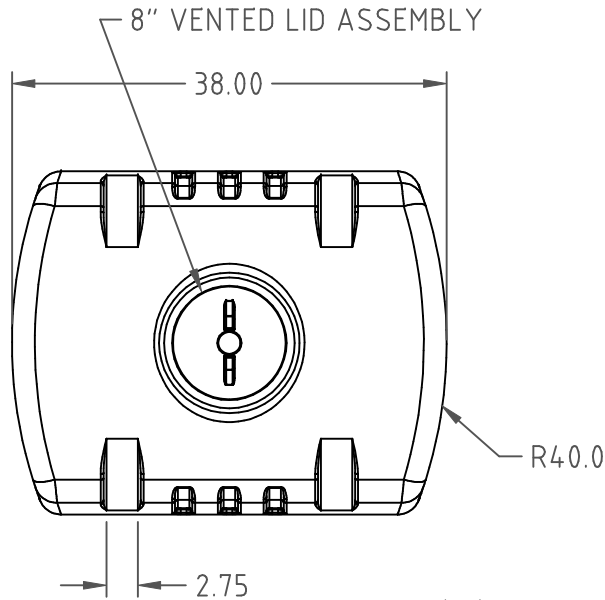


© DEN HARTOG INDUSTRIES, INC.

Copyright. All information furnished within this document, electronic file or design correspondence is the property of Den Hartog Industries, Inc. and shall not be used, disclosed to others or copied without the expressed written consent of Den Hartog Industries, Inc.

PCO100-30



STANDARD FITTING IS 1" STANDARD LOCATION END
TANK WITH SUMP STANDARD LOCATION IS IN SUMP

20.00° [ⓑ] OPTIONAL SUMP ON "S" MODELS

C	24.13 WAS 23.75	CCN1805	REH 2/18/09	DRAWN / DATE	MATERIAL
B	"S" MODEL WAS "M"	CCN 1533	ADH 11/29/07	REH / 5/8/02	
A	CLARIFY FITTING LOCATIONS		2/17/06	APPRD. / DATE	50 LB. MOBIL 134
REV	DESCRIPTION	DATE	APPRD	DHJ / 5/8/02	
ALL DIMENSIONS ARE IN DECIMAL INCHES TOLERANCES UNLESS OTHERWISE SPECIFIED $\pm 1\% \text{ @ } 68^\circ \text{ F}$				THIRD ANGLE PROJECTION ANSI 14.5M 	NOTES: 1. NATURAL COLOR 2. NOM. WALL .260

ACE ROTO-MOLD A DIVISION OF DEN HARTOG INDUSTRIES, INC. 4010 HOSPERS DRIVE SOUTH, BOX 425, HOSPERS, IOWA 51238	
CLIENT / DESCRIPTION 100 GALLON PCO TANK	
SCALE	N.S.
PART NO.	PCO100-30S (WITH SUMP) PCO100-30W (NO SUMP)