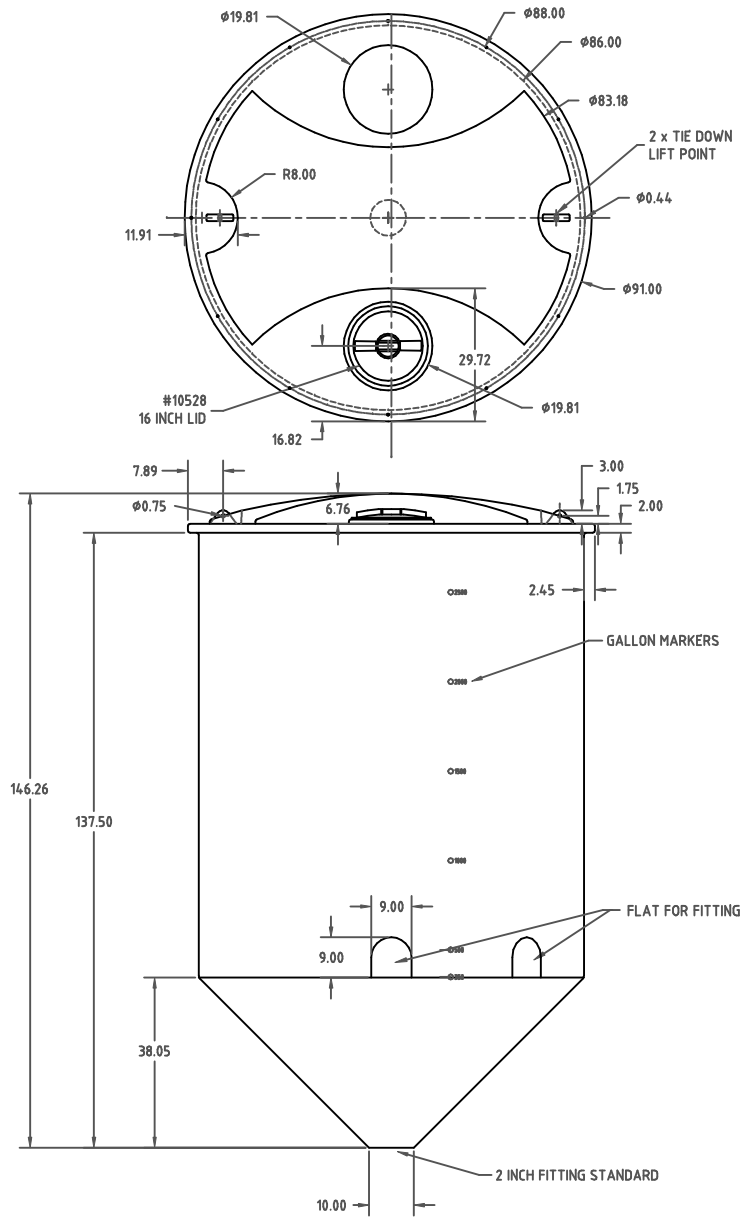
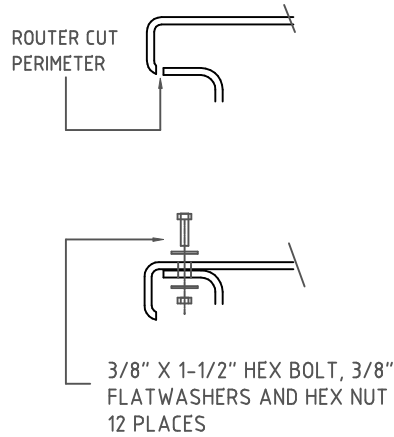


Copyright. All information furnished within this document, electronic file or design correspondence is the property of Den Hartog industries, Inc. and shall not be used, disclosed to others or copied without the expressed written consent of Den Hartog Industries, Inc.

LID TRIM AND FASTENING DETAIL



				DRAWN / DATE DHJ 5/9/11	MATERIAL
				APPRD. / DATE REH 5/10/11	10420
REV	DESCRIPTION	BY / DATE	CCN	SHOT WEIGHT: 500 LBS.	NOTES: 1. 430 THICK AT FITTING
				SHIPPING WEIGHT: 502 LBS.	
				FINISH:	
ALL DIMENSIONS ARE IN DECIMAL INCHES TOLERANCES UNLESS OTHERWISE SPECIFIED		THIRD ANGLE PROJECTION ANSI 14.5M			
<u>POLYETHYLENE</u>					
METAL DECIMAL $\pm .125$ " FRACTION $\pm 1/4$ " ANGLE $\pm 1^\circ$					



**Den Hartog**  
INDUSTRIES, INC.

Ace Roto-Mold Injection Molding Blow Molding Sowjoy  
4010 HOSPERS DRIVE S. BOX 425, HOSPERS, IOWA 51238-0425

DESCRIPTION	2610 GALLON CONE BOTTOM OPEN TOP TANK	
SCALE	N.S.	PART NO. OC2610-86