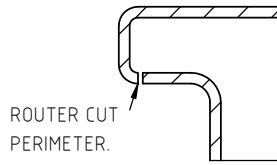


Copyright. All information furnished within this document, electronic file or design correspondence is the property of Den Hartog Industries, Inc. and shall not be used, disclosed to others or copied without the expressed written consent of Den Hartog Industries, Inc.

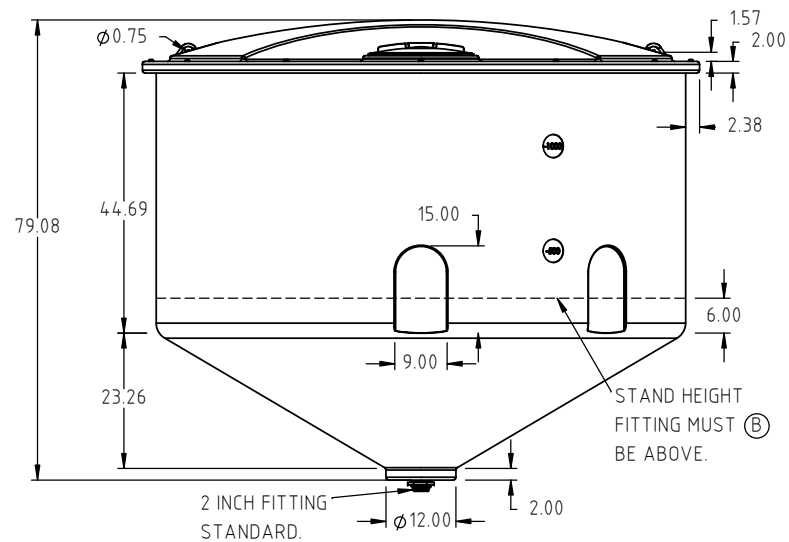
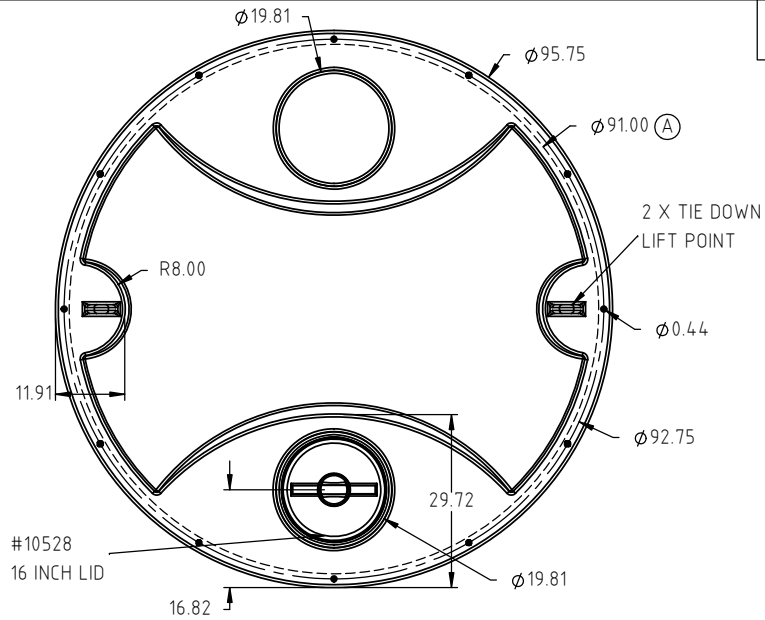
LID TRIM AND FASTENING DETAIL



P.N.10101  
3/8" X 1-1/2" HEX BOLT  
X 12

P.N.11094  
3/8" FLAT WASHER  
X 24

P.N.11093  
3/8" HEX NUT  
X 12



|   |                                   |   |      |                                |   |
|---|-----------------------------------|---|------|--------------------------------|---|
| B   | NOTE ADDED                        | ADH 11/29/18  | 3674 | DRAWN / DATE<br>DHJ 2/3/12     | MATERIAL<br>10420                         |
| A   | Ø91.00" WAS Ø90.00" ON THE PRINT. | ADH 5/16/17   | 3385 | APPRD. / DATE<br>REH 7/12/12   |   |
| REV   | DESCRIPTION                       | BY / DATE   | CCN  |                                |   |
| ALL DIMENSIONS ARE IN DECIMAL INCHES<br>TOLERANCES UNLESS OTHERWISE SPECIFIED |                                   | THIRD ANGLE PROJECTION<br>ANSI 14.5M                      |      | SHOT WEIGHT:<br>284.00 LBS     | NOTES:<br>1.) 0.326" THICK<br>AT FITTING. |
| POLYETHYLENE  |                                   | METAL<br>DECIMAL ± .125"<br>FRACTION ± 1/4"<br>ANGLE ± 1° |      | SHIPPING WEIGHT:<br>286.00 LBS |   |
| ±1% @ 68°F  |                                   |   |      | FINISH:                        |   |



**Den Hartog**  
INDUSTRIES, INC.

Ace Roto-Mold Injection Molding Blow Molding Sowjoy

4010 HOSPERS DRIVE S. BOX 425, HOSPERS, IOWA 51238-0425

|   |                       |
|---|-----------------------|
| DESCRIPTION<br>1450 GALLON OPEN CONE WITH BOLT ON TOP |                       |
| SCALE<br>N.S.   | PART NO.<br>OC1450-90 |