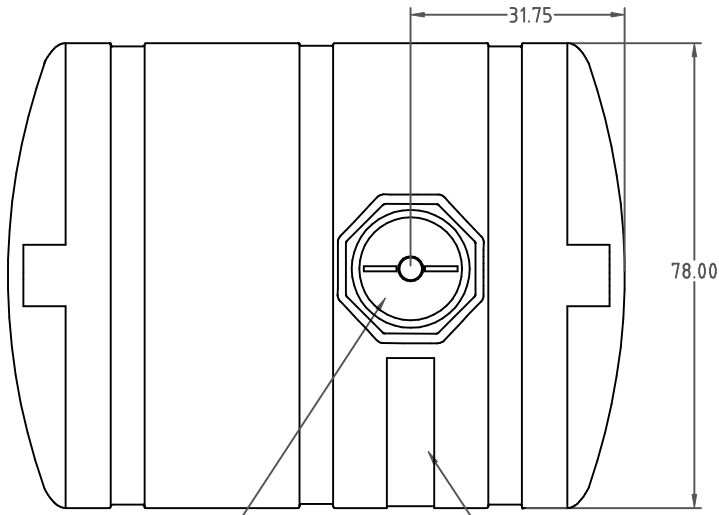
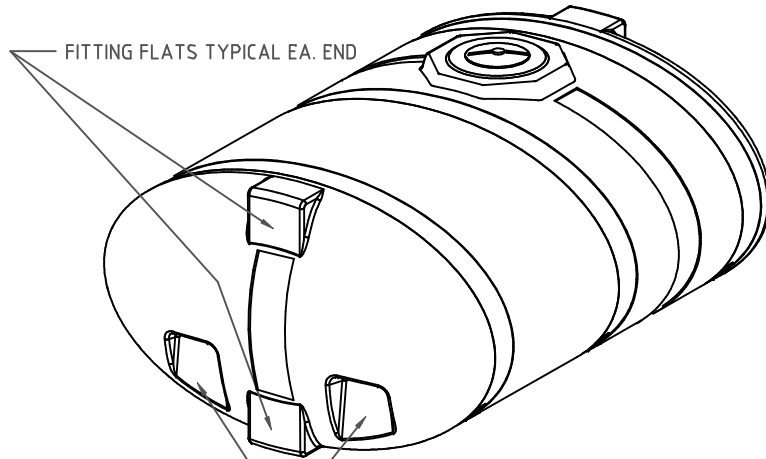


PROPRIETARY DATA

HED1000-78

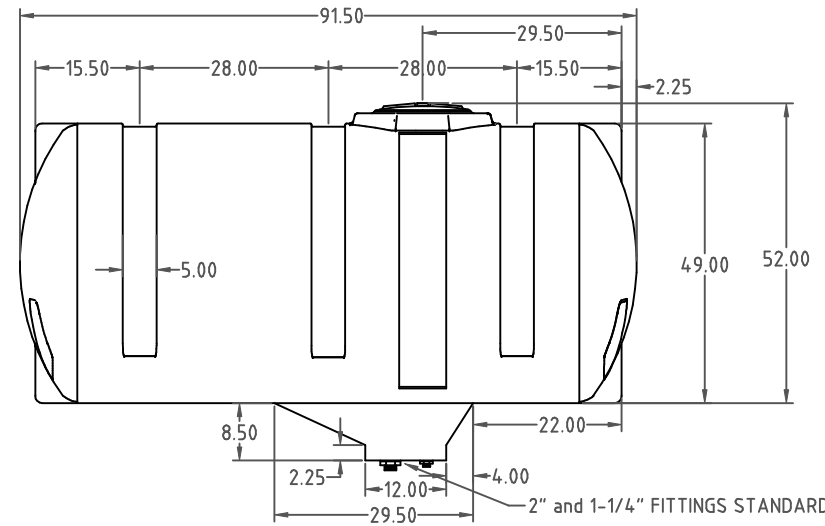
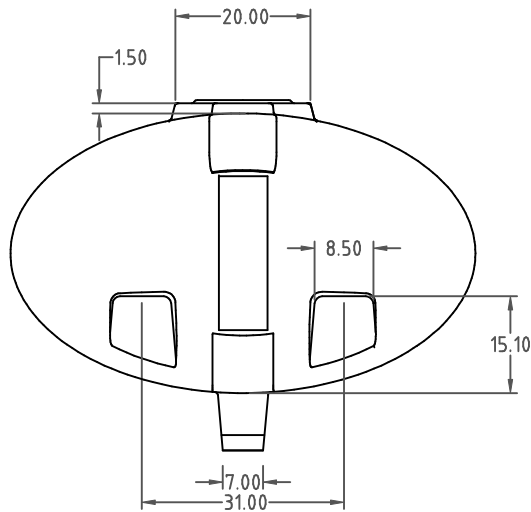
A

PROPERTY OF ACE ROTO-MOLD MFG., INC. INFORMATION FURNISHED HEREIN IS THE PROPERTY OF ACE ROTO-MOLD MFG., INC. AND SHALL NOT BE USED, DISCLOSED TO OTHERS, OR COPIED WITHOUT THE EXPRESSED WRITTEN CONSENT OF ACE ROTO-MOLD MFG., INC. ALL RIGHTS RESERVED.



STANDARD LID IS 16" GALLON / LITER INDICATORS ONE SIDE AND ONE END GALLON CALIBRATIONS ARE IN 50 GAL. INCREMENTS

FITTING FLATS TYPICAL EA. END



2" and 1-1/4" FITTINGS STANDARD

			DRAWN / DATE DHJ/12/06
A	UPDATE DIM	2/6/06	APPRD. / DATE ADH/11/12/07
REV	DESCRIPTION	DATE	APPRD

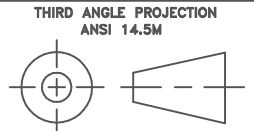
MATERIAL / SHOT WEIGHT	
M111	M134
U625	P938
	285

NOTES:  
1. .330 NOMINAL WALL

**Ace Roto-Mold**  
A DIVISION OF DEN HARTOG INDUSTRIES, INC.  
4018 HWY. 60 BLVD., BOX 421, HOSPERS, IOWA 51238

CLIENT / DESCRIPTION  
**ACE 1000 GALLON ELLIPTICAL TANK DEEP SUMP**

ALL DIMENSIONS ARE IN DECIMAL INCHES  
TOLERANCES UNLESS OTHERWISE SPECIFIED  
± .5% @ 68° F



SCALE **N.S.** PART NO. **HED1000-78**