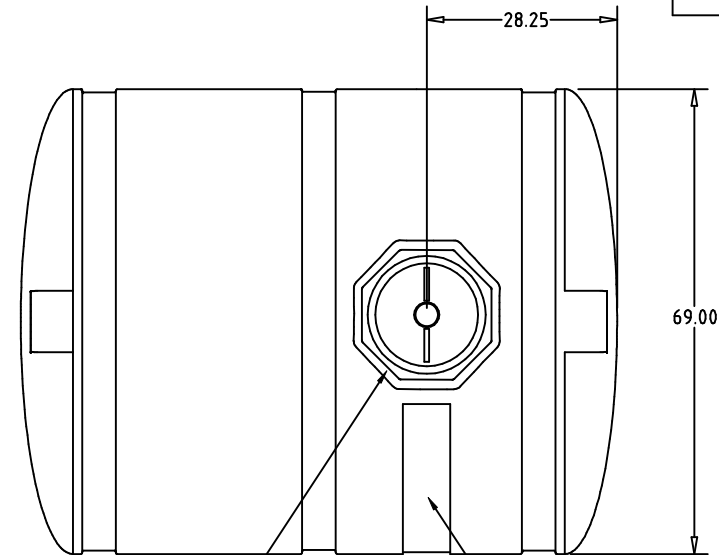


# PROPRIETARY DATA

HED0850-69

C

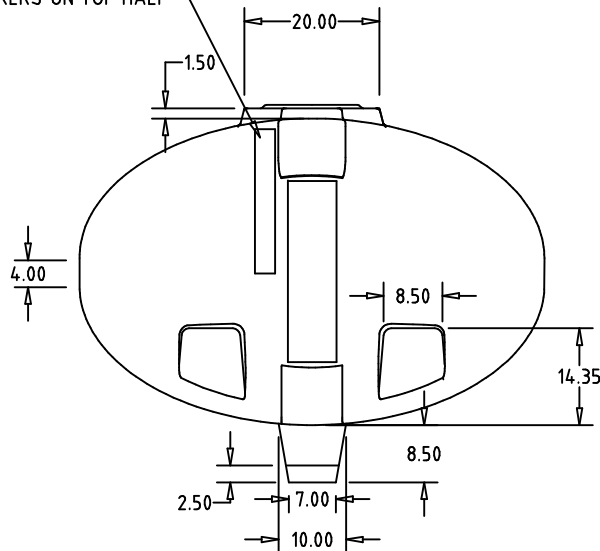
PROPERTY OF ACE ROTO-MOLD MFG., INC. INFORMATION FURNISHED HEREIN IS THE PROPERTY OF ACE ROTO-MOLD MFG., INC. AND SHALL NOT BE USED, DISCLOSED TO OTHERS, OR COPIED WITHOUT THE EXPRESSED WRITTEN CONSENT OF ACE ROTO-MOLD MFG., INC. ALL RIGHTS RESERVED.



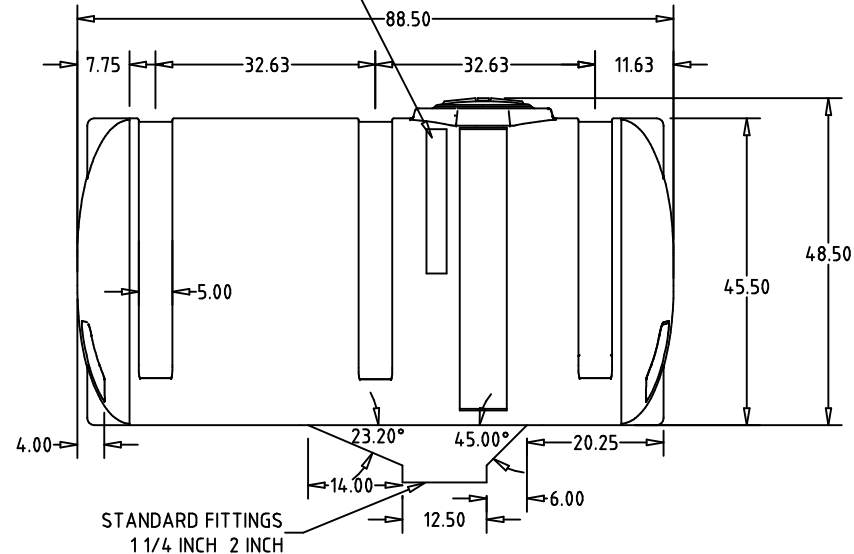
STANDARD LID IS 16"

GALLON / LITER INDICATORS ONE SIDE AND ONE END  
GALLON CALIBRATIONS ARE IN 50 GAL. INCREMENTS

MOLD ON GRAPHIC GALLON MARKERS ON TOP HALF



MOLD ON GRAPHIC GALLON MARKERS ON TOP HALF



STANDARD FITTINGS  
1 1/4 INCH 2 INCH

C	ADD 4" EXTENTION	9\1\03
B	MOVE SUMP 11" OFF CENTER	7\9\03
A	ADD LARGE SUMP	7\1\03
REV	DESCRIPTION	DATE APPRD

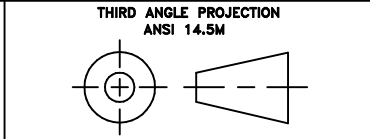
DRAWN / DATE	REH/2/14/02
APPRD. / DATE	ADH/11/12/07

MATERIAL / SHOT WEIGHT			
M111	M134	U625	P938
	246		

**ACE ROTO-MOLD**  
A DIVISION OF DEN HARTOG INDUSTRIES, INC.  
4018 HWY. 60 BLVD., BOX 421, HOSPERS, IOWA 51238

CLIENT / DESCRIPTION  
**ACE 850 GALLON ELLIPTICAL TANK DEEP SUMP**

ALL DIMENSIONS ARE IN DECIMAL INCHES  
TOLERANCES UNLESS OTHERWISE SPECIFIED  
± .5% @ 68° F



NOTES:  
1. .340 NOMINAL WALL

SCALE  
**N.S.**

PART NO.  
**HED0850-69**