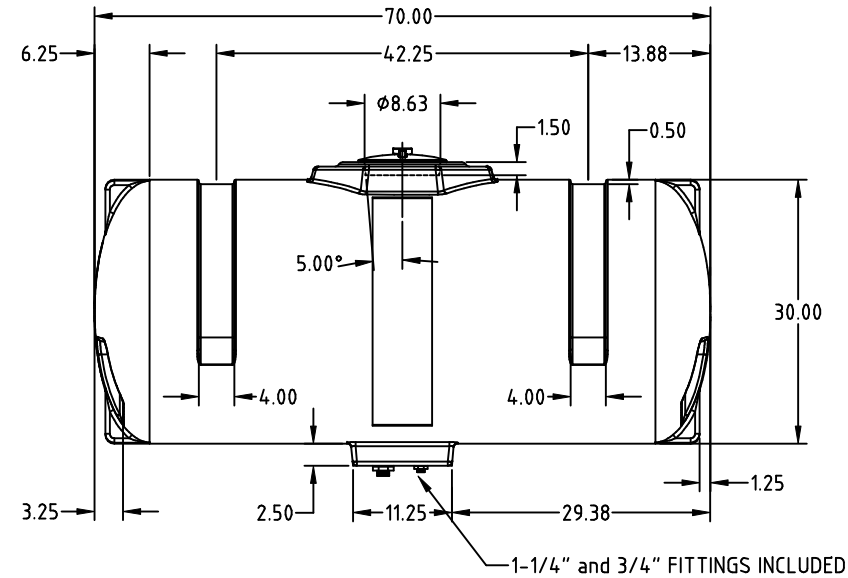
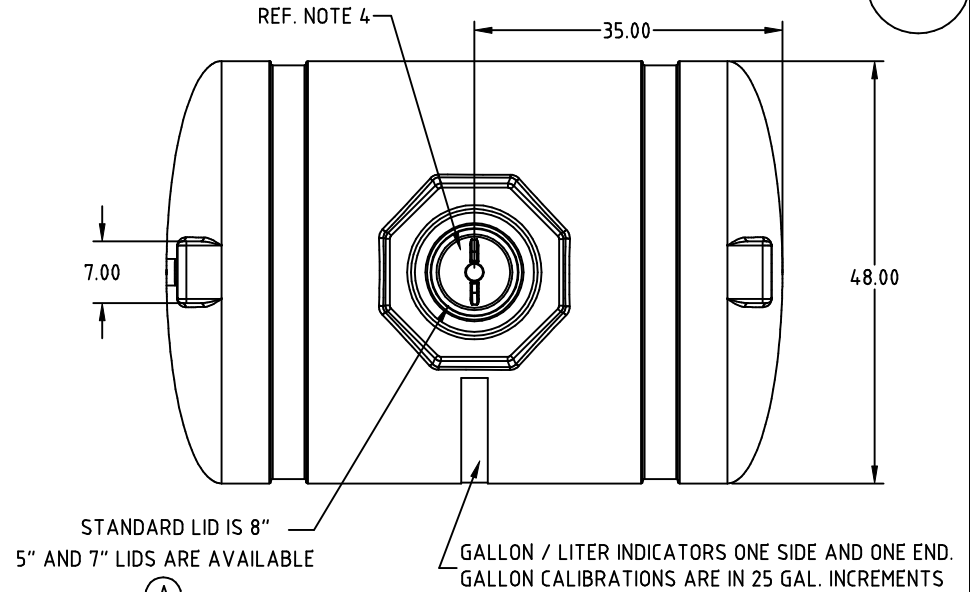
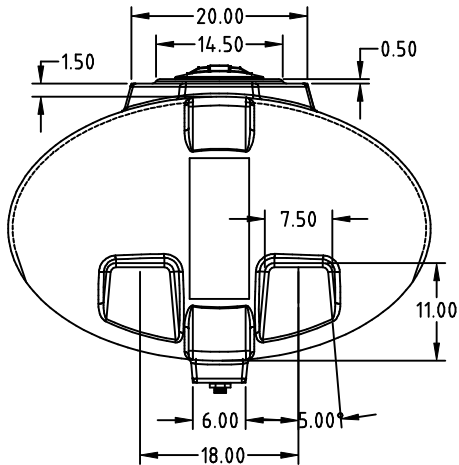
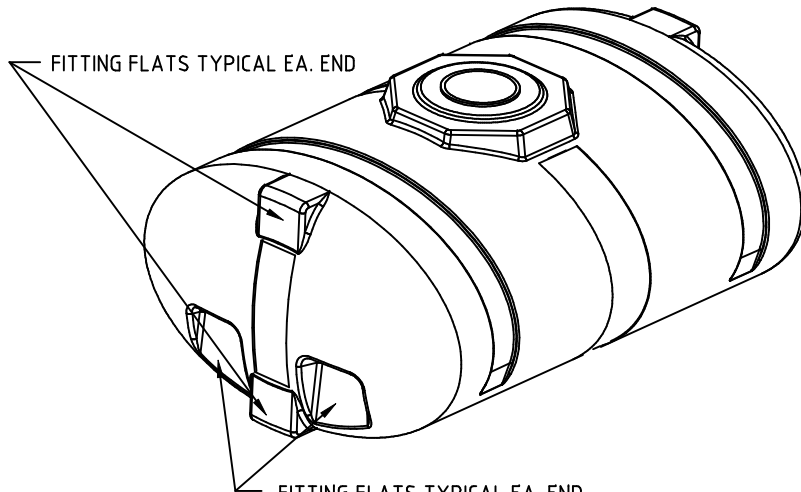


Copyright. All information furnished within this document, electronic file or design correspondence is the property of Den Hartog industries, Inc. and shall not be used, disclosed to others or copied without the expressed written consent of Den Hartog Industries, Inc.



DRAWN / DATE
REH/4/9/01

MATERIAL / SHOT WEIGHT

M111	M134	U625	P938
	112		

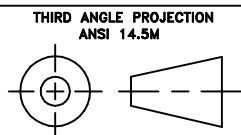
ACE ROTO-MOLD
A DIVISION OF DEN HARTOG INDUSTRIES, INC.
4010 HOSPERS DRIVE SOUTH, BOX 425, HOSPERS, IA 51238

APPRD. / DATE
DHJ/4/9/01

CLIENT / DESCRIPTION

300 GALLON ELLIPTICAL TANK

ALL DIMENSIONS ARE IN DECIMAL INCHES
TOLERANCES UNLESS OTHERWISE SPECIFIED
± 1% @ 68° F



NOTES:
1. .300 NOMINAL WALL

SCALE
N.S.

PART NO.
HE0300-48