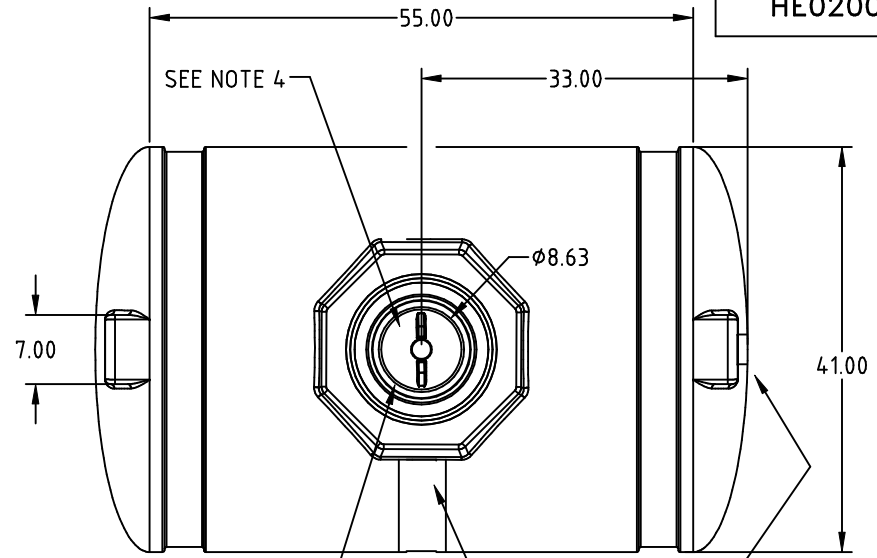
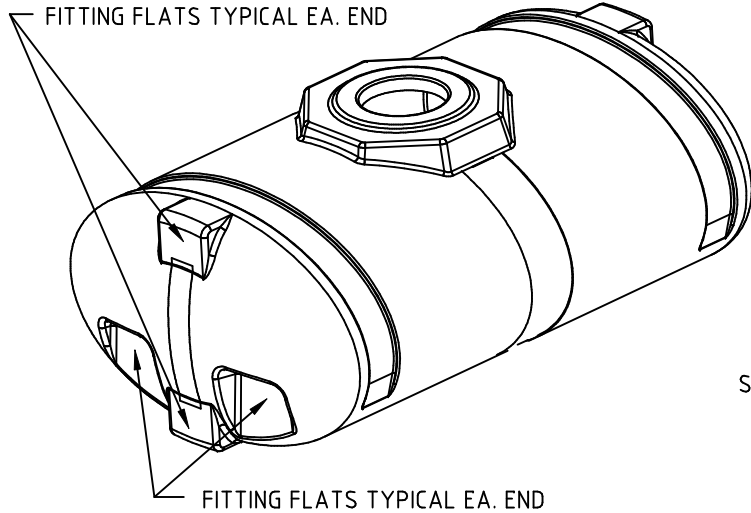


**PROPRIETARY DATA**

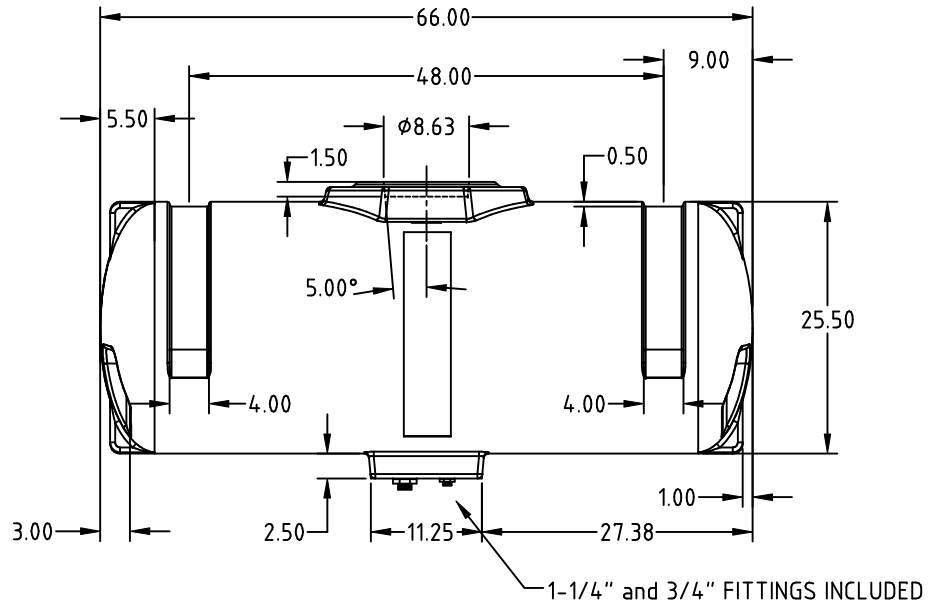
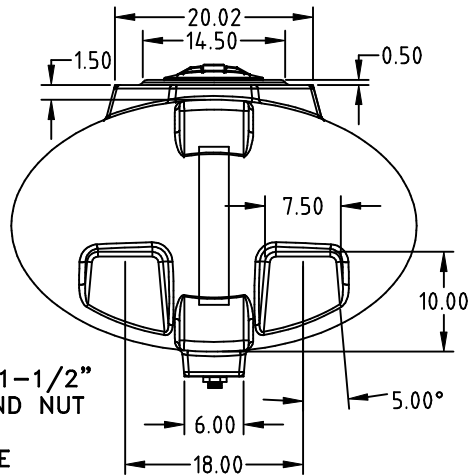
PROPERTY OF ACE ROTO-MOLD MFG., INC. INFORMATION FURNISHED HEREIN IS THE PROPERTY OF ACE ROTO-MOLD MFG., INC. AND SHALL NOT BE USED, DISCLOSED TO OTHERS, OR COPIED WITHOUT THE EXPRESSED WRITTEN CONSENT OF ACE ROTO-MOLD MFG., INC. ALL RIGHTS RESERVED.

HE0200-41



STD. LID IS 8". 12" OR 16" OPTIONAL

GALLON / LITER INDICATORS ONE SIDE AND ONE END.  
GALLON CALIBRATIONS ARE IN 25 GAL. INCREMENTS



**GENERAL NOTES:**

1. USE .027 IN./IN. SHRINK ALLOWANCE
2. MOLD TO BE FULLY WELDED INSIDE AND STITCH WELDED OUTSIDE
3. CLAMPING TO BE WITH 1/2" X 1-1/2" GRADE 8 BOLTS, GRADE 5 NUTS AND NUT HOLDERS.
4. LID RING RECESS TO HAVE KNIFE EDGE ON INSERT TO MINIMIZE TRIMMING.

DRAWN / DATE

REH/4/16/01

MATERIAL / SHOT WEIGHT

M111 M134 U625 P938

APPRD. / DATE

REH/4/16/01

NOTES:

1. .260 NOMINAL WALL



**ACE ROTO-MOLD**

A DIVISION OF DEN HARTOG INDUSTRIES, INC.

4018 HWY. 60 BLVD., BOX 421, HOSPERS, IOWA 51238

CLIENT / DESCRIPTION

ACE 200 GALLON ELLIPTICAL TANK

SCALE

N.S.

PART NO.

HE0200-41

ALL DIMENSIONS ARE IN DECIMAL INCHES  
TOLERANCES UNLESS OTHERWISE SPECIFIED

± .5% @ 68° F

THIRD ANGLE PROJECTION  
ANSI 14.5M

