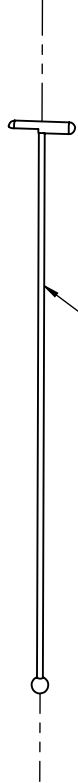
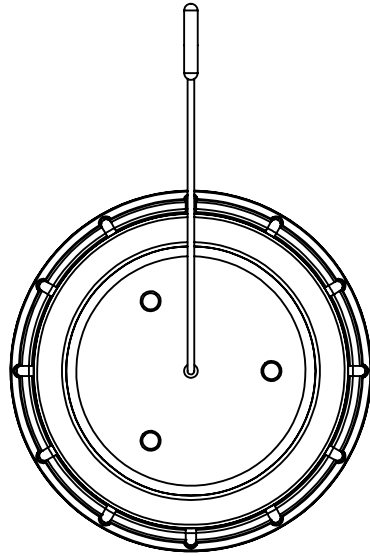


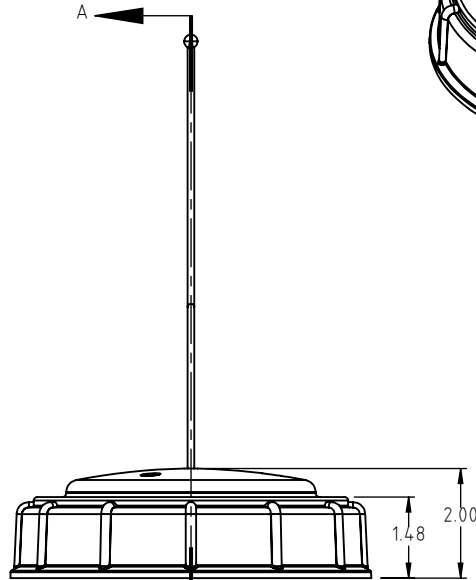
13697
LID



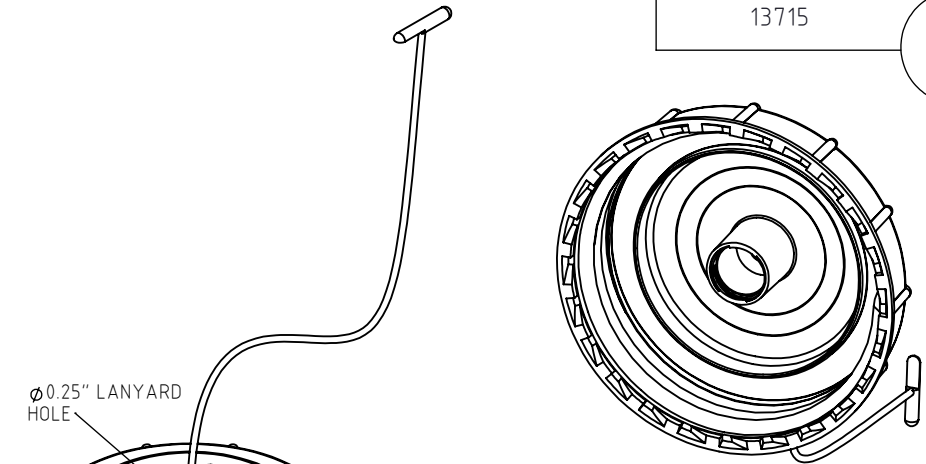
10873
LANYARD



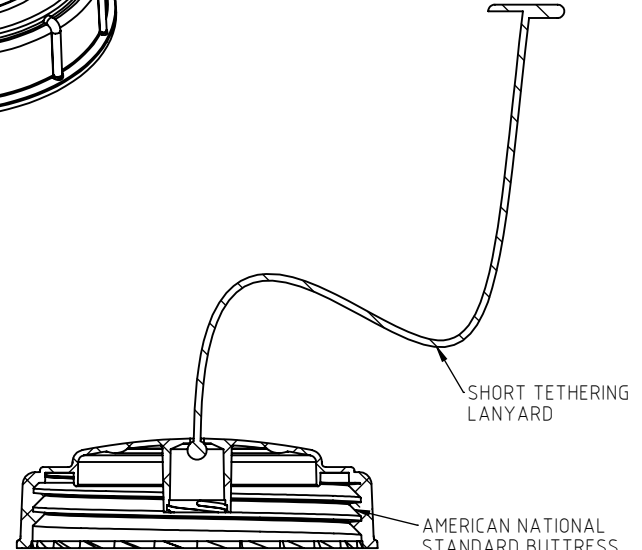
A



A



Ø 0.25" LANYARD
HOLE




SHORT TETHERING
LANYARD

AMERICAN NATIONAL
STANDARD BUTTRESS
6 INCH DIA. X 3TPI

SECTION A-A
SCALE 1: 3.5

REV	DESCRIPTION	BY / DATE	CCN	DRAWN / DATE ADH 7/26/12	MATERIAL
				APPRD. / DATE MVE 9/18/12	
	ALL DIMENSIONS ARE IN DECIMAL INCHES TOLERANCES UNLESS OTHERWISE SPECIFIED	THIRD ANGLE PROJECTION ANSI 14.5M		SHOT WEIGHT:	NOTES:
NOTE	TOLERANCE:			SHIPPING WEIGHT: 134 g.	
				FINISH:	



Den Hartog

INDUSTRIES, INC.

Ace Roto-Mold Injection Molding Blow Molding Sowjoy

4010 HOSPERS DRIVE S. BOX 425, HOSPERS, IOWA 51238-0425

DESCRIPTION 5" LID WITH SHORT LANYARD ASSEMBLY	
SCALE N.S.	PART NO. 13715