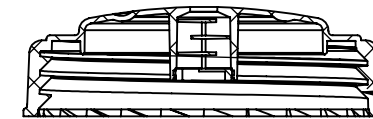
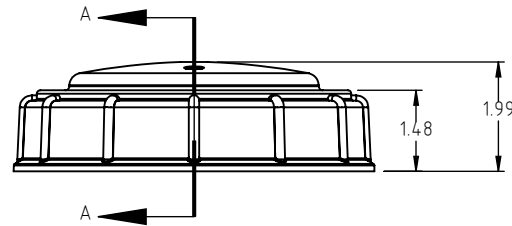
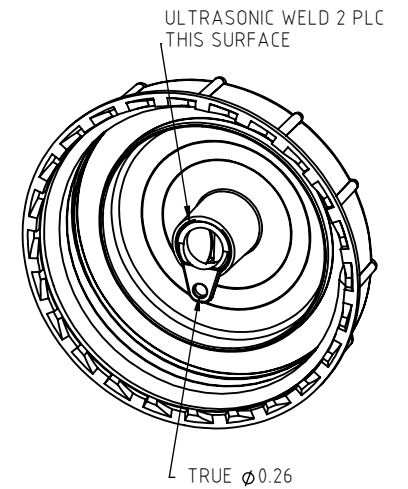
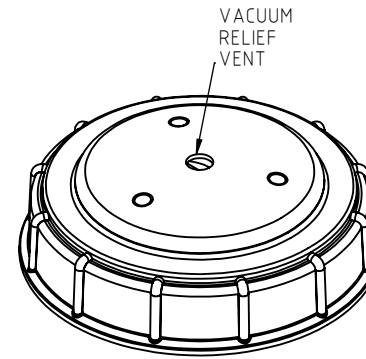
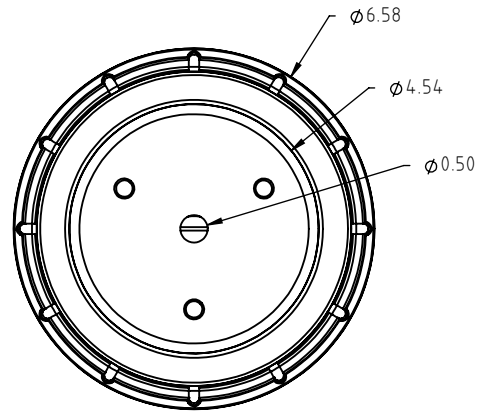
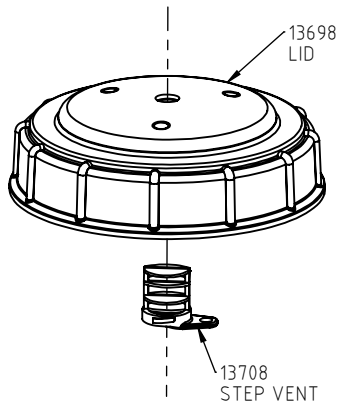


Copyright. All information furnished within this document, electronic file or design correspondence is the property of Den Hartog industries, Inc. and shall not be used, disclosed to others or copied without the expressed written consent of Den Hartog Industries, Inc.



SECTION A-A
SCALE 1: 3.5

AMERICAN NATIONAL
STANDARD BUTTRESS
6 INCH DIA. X 3TPI

| | | | | | |
|---|-------------|--------------------------------------|-----|-------------------------------|----------|
| | | | | DRAWN / DATE ADH 7/26/12 | MATERIAL |
| | | | | APPROD. / DATE MVE 9/18/12 | |
| REV | DESCRIPTION | BY / DATE | CCN | SHOT WEIGHT: | NOTES: |
| | | | | SHIPPING WEIGHT: 130 g. | |
| | | | | FINISH: | |
| ALL DIMENSIONS ARE IN DECIMAL INCHES TOLERANCES UNLESS OTHERWISE SPECIFIED | | THIRD ANGLE PROJECTION ANSI 14.5M | | | |
| NOTE | TOLERANCE: | | | | |



Den Hartog
INDUSTRIES, INC.

Ace Roto-Mold Injection Molding Blow Molding Sowjoy

4010 HOSPERS DRIVE S. BOX 425, HOSPERS, IOWA 51238-0425

| | |
|--|-------------------|
| DESCRIPTION 5" LID WITH 2 WAY STEP VENT | |
| SCALE N.S. | PART NO. 13709 |