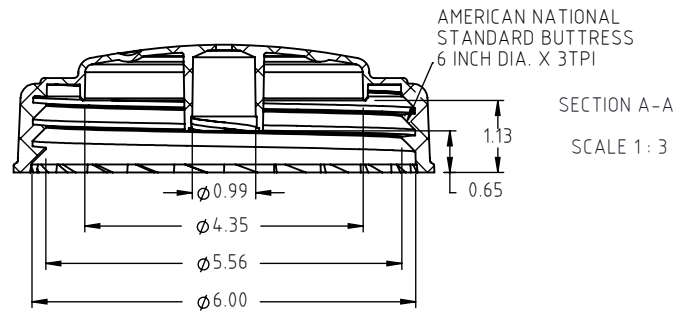
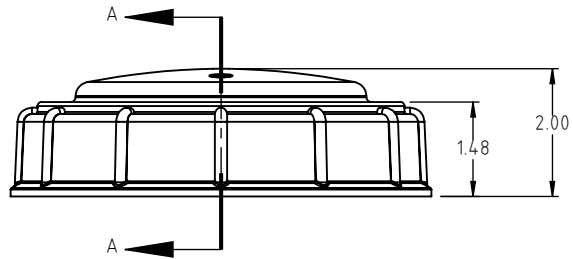
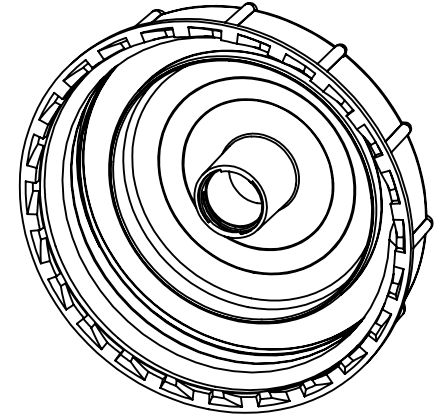
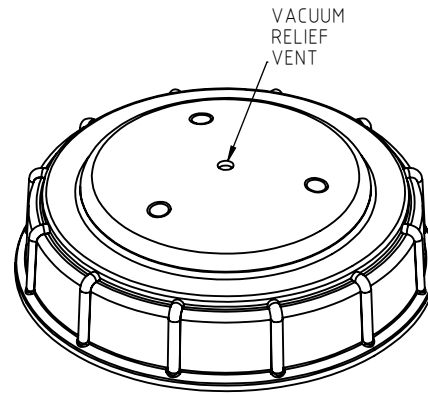
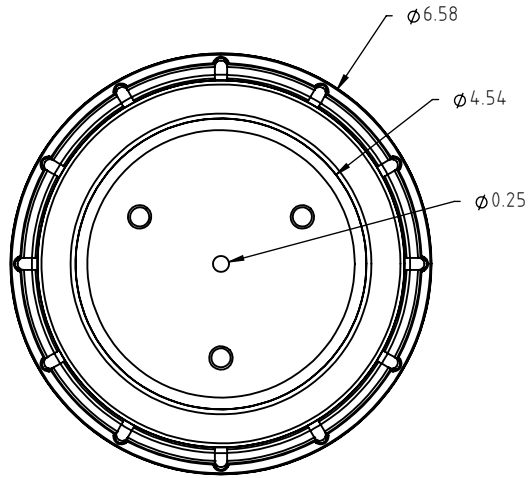



Copyright. All information furnished within this document, electronic file or design correspondence is the property of Den Hartog industries, Inc. and shall not be used, disclosed to others or copied without the expressed written consent of Den Hartog Industries, Inc.



				DRAWN / DATE ADH 7/26/12	MATERIAL IMPACT MODIFIED POLYPROPYLENE
				APPROD. / DATE MVE 9/18/12	
REV	DESCRIPTION	BY / DATE	CCN	PART WEIGHT:	NOTES: 1.) BLACK COLOR
				SHIPPING WEIGHT: 127 g.	
				FINISH: MT-11050	



Den Hartog

INDUSTRIES, INC.

Ace Roto-Mold Injection Molding Blow Molding Sowjoy

4010 HOSPERS DRIVE S. BOX 425, HOSPERS, IOWA 51238-0425

DESCRIPTION 5" LID WITH ϕ 0.25 HOLE VENT	
SCALE N.S.	PART NO. 13697

ALL DIMENSIONS ARE IN DECIMAL INCHES
TOLERANCES UNLESS OTHERWISE SPECIFIED

NOTE TOLERANCE:
.XX +/- .04

