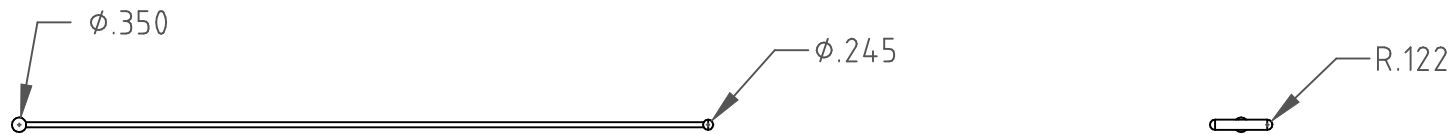
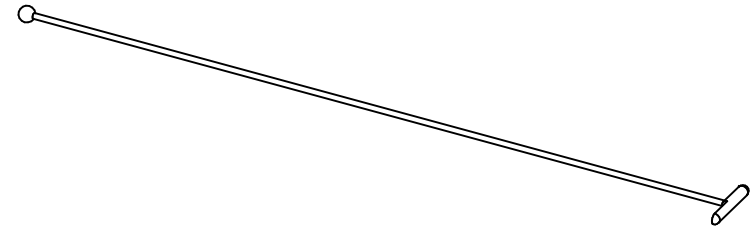
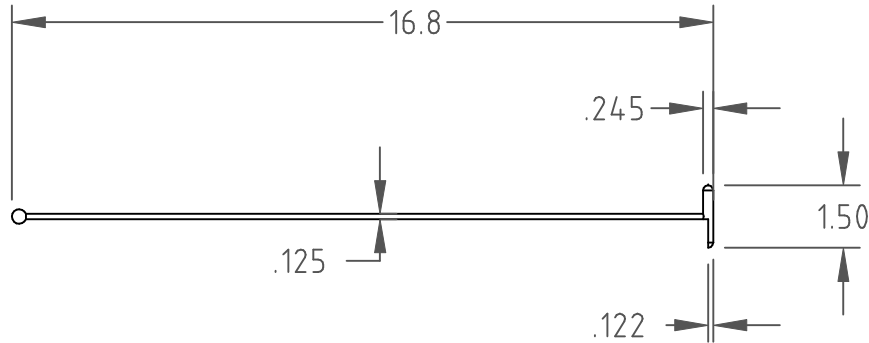



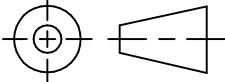
PROPRIETARY DATA

10534

A

PROPERTY OF ACE ROTO-MOLD MFG., INC. INFORMATION FURNISHED HEREIN IS THE PROPERTY OF ACE ROTO-MOLD MFG., INC. AND SHALL NOT BE USED, DISCLOSED TO OTHERS, OR COPIED WITHOUT THE EXPRESSED WRITTEN CONSENT OF ACE ROTO-MOLD MFG., INC. ALL RIGHTS RESERVED.



				DRAWN / DATE NVE 6/23/05		MATERIAL		 <b>INJECTION MOLDING</b> A DIVISION OF DEN HARTOG INDUSTRIES, INC. 4010 HOSPERS DRIVE S., BOX 425, HOSPERS, IOWA 51238-0425	
				APPRD. / DATE DHJ 9/21/05		UREATHANE REFERENCE MATERIAL DATA SHEET FOR SPECIFIC PROPERTIES.			
A	UPDATE LOGO AND TOL.	CCN 1296	4/20/07	GWC			CLIENT / DESCRIPTION		
REV	DESCRIPTION	DATE	APPRD				LONG BLACK LANYARD (TETHER)		
ALL DIMENSIONS ARE IN DECIMAL INCHES TOLERANCES UNLESS OTHERWISE SPECIFIED .XXX +/- .006 .XX +/- .016 .X +/- .032					THIRD ANGLE PROJECTION ANSI 14.5M 		NOTES: 1. BLACK COLOR 2. SHOT WEIGHT .1 OZ.		
					SCALE		PART NO.		
					N.S.		10534		